

OCEAN SOUTH

2025 CATALOGUE



DESIGNERS & MANUFACTURERS OF MARINE PRODUCTS



OCEANSOUTH USA
(Florida, USA)

OCEANSOUTH EUROPE
(Weyhe, Germany)

OCEANSOUTH CHINA
(Shanghai, China)

OCEANSOUTH AUSTRALIA
(Victoria, Australia)

OCEANSOUTH NEW ZEALAND
(Auckland, New Zealand)

HEADQUARTERS



OCEANSOUTH AUSTRALIA
1-3 Urban Street, Braeside,
Victoria 3195,
Tel: +61 3 9580 0015
Fax: +61 3 9580 7844
sales@oceansouth.com.au



OCEANSOUTH NEW ZEALAND LTD
60 Hillside Road, Wairau Valley,
Auckland 0627,
Tel: +64 9 5513054
Fax: +64 9 5513053
sales@oceansouth.co.nz



OCEANSOUTH USA INC
3081 W Mcnab Road
Pompano Beach, Florida 33069
Tel: +1 954 575 8444
Fax: +1 954 575 8899
sales@oceansouth.us



OCEANSOUTH EUROPE GmbH
Zeppelinstraße 9
28844 Weyhe, Germany
Tel: +49-(0)4404-20 900 30
sales@oceansouth.de



OCEANSOUTH JIANGSU CO. LTD.
Creative Industrial Park,
Taixing, Jiangsu
China



OCEANSOUTH CHINA CO. LTD.
938 Nanfeng Road, Fengcheng,
Fengxian, Shanghai 201411
Tel: +86 21 5752 2291
Fax: +86 21 5752 1753
info@oceansouth.com

CONTENTS

PAGE	PRODUCTS
BIMINI TOPS	
06	Cruiser Bimini Tops (Stainless Steel)
06	Sailboat Bimini Tops (Stainless Steel)
07	3 Bow Bimini Top (Stainless Steel)
07	4 Bow Bimini Top (Stainless Steel)
08	Bimini Components (Stainless Steel)
10	Roof Topper 2 Bow Bimini (Aluminium)
10	2 Bow Classic Bimini (Aluminium)
11	3 Bow Classic Bimini (Aluminium)
11	4 Bow Classic Bimini (Aluminium)
12	Whitewater Bimini Combo (Aluminium)
12	Whitewater Bimini (Aluminium)
13	Whitewater Pro Bimini Combo (Aluminium)
13	Whitewater Bimini (Aluminium)
14	'Clamp-on' Rocket Launcher
15	Rocket Launcher / Boat Arch
16	Bimini Top Extension Kit
17	Rocket Launcher Bimini Top Extender (NEW)
18	Components
TOPS	
20	Heavy Duty T-Tops - Console Mount (NEW)
21	Heavy Duty T-Tops - Deck Mount (NEW)
22	Seagull T-Top - Retractable
23	Signature T-Top
24	Fisherman Top
25	Targa Top (NEW)
26	Deck Top / Components
28	Bow & Stern Shade Extension
29	Free Standing T-Top Extender (NEW)
30	Enclosure T-Top / Console Cover for T-Top
BOAT COVERS	
32	Jumbo Boat Cover
33	Pilot/Cruiser Boat Cover
33	T-Top Boat Cover
34	Bowrider / XL Bowrider Boat Cover
35	Runabout / XL Runabout Boat Cover
36	Centre / Side Console Boat Cover
37	Cabin / Open Boat Cover
38	Universal Jet Ski Cover
38	Jet Ski Cover for Kawasaki (NEW)

PAGE	PRODUCTS
39	Jet Ski Cover for Seadoo / Yamaha (NEW)
40	Inflatable Boat Cover
40	Rib Boat Cover - Style A Trailerable
41	Rib Boat Cover - Style B & C
42	Universal Trailerable/ Storage Cover
43	Boat Cover Components
44	Fabrics
OUTBOARD MOTOR COVERS	
47	Mercury Half, Full & Vented Cover
49	Yamaha Half, Full & Vented Cover
50	Suzuki Half, Full & Vented Cover
53	Honda Half, Full & Vented Cover
55	Tohatsu Half, Full & Vented Cover (NEW)
57	Evinrude Half, Full & Vented Cover
58	Universal Half / Full Cover
60	Trolling Motor Covers for MINN KOTA (NEW)
61	Trolling Motor Covers for MOTOR GUIDE (NEW)
62	Trolling Motor Covers for GARMIN (NEW)
63	Propeller Covers
64	Outboard Motor Carry Bag
PEDESTALS & SWIVELS	
66	Pedestal Slider (NEW)
66	Titan / Metal Swivels
66	Aluminium Swivels (NEW)
67	Economy / Fixed Pedestals
68	Adjustable Pedestal
69	Waverider Pedestal
70	Dome Base Pedestal
71	Flat Base Pedestal
72	Boat Seat Boxes (NEW)
BOAT SEATS	
74	Skipper Deluxe High Back Seat (NEW)
76	Skipper Boat Seat
77	Skipper Deluxe Seat (NEW)
78	Sirocco Seat
80	Deluxe Seat
81	High Back Deluxe Seat
82	C-Seat
83	Fisherman Seat
84	Boat Seat Covers

PAGE	PRODUCTS
MARINE FURNITURE	
86	Aluminium Deck Chair (NEW)
86	Aluminium High Back Deck Chair (NEW)
87	Premium Deck Chair (NEW)
87	Large Marine Deck & Dock Chair (NEW)
88	Folding Deck Table (NEW)
BOAT CUSHIONS	
90	Boat Cushions
92	Boat Cushions PVC White (NEW)
93	Boat Bench Cushions
93	Boat Bench Cushions with Pockets
94	Boat Deck Pillows (NEW)
COOLER CUSHIONS	
96	Cooler Ice Box/ Yeti Cushions (NEW)
FISHING GEAR	
98	Small / Large Bait Board
99	Extra Large Bait Board
100	Rectangle 90° & Oval 30° Rod Holders
101	Quick Lift Rod Holders/ Rod Rack
102	Sea Anchor / Gunwale Storage Bin
LADDERS	
104	Short Base / Long Base 316 SS Ladder
105	Gunwale / Fold Away Aluminium Ladder
106	Handrails
TRAILER ACCESSORIES	
108	Trailer Guide Poles
110	Stone Guard
HOOKS, PADDLES & OARS	
112	Boat Hooks / Paddles
113	Standard with T Handle / Telescopic Paddles
114	Kayak Paddles / Asymmetric Kayak Paddles
115	Flat Blade Oars
116	Aluminium Oars
117	Aluminium Oars for Inflatable Dinghy (NEW)
117	Aluminium Telescopic Oars (NEW)
118	Heavy Duty Oars
119	Heavy Duty Oars - Split Shaft
120	Outboard Backing Plate
121	Large / Mini Signal Horn
121	Trumpet Safety Fog Horn (NEW)

PAGE	PRODUCTS
SAILING DINGHY COVERS	
124	Covers for OPTIMIST, LASER
124	Covers for 420, 470
125	Covers for FINN, 29ER
125	Covers for 49ER, BIC
126	Covers for RS AERO, RS QUEST
126	Covers for RS 100, RS 200
127	Covers for TASAR, PACER
127	Covers for CADET, OK
128	Covers for IMPULSE, MIRROR
128	Covers for MINNOW, ETCHELLS
129	Covers for YNGLING, J70
129	Covers for J24, 2.4mR
130	Covers for FLYING DUTCHMAN, VXONE
130	Covers for WETA, SABRE
131	Covers for RS FEVA, 505
131	Covers for EUROPE, LASER BAHIA
132	Covers for PICO, BUG
134	Custom Flush Hatch Covers for Lewmar
135	Low Profile Hatch Covers for Lewmar
136	High Profile Hatch Covers for Lewmar
137	Universal Hatch Covers
138	Universal Winch Covers
139	Hatch Mosquito Net (NEW)
140	Cockpit Table Covers
141	Wheel Covers
142	Sailboat Awning



STAINLESS STEEL BIMINI TOPS

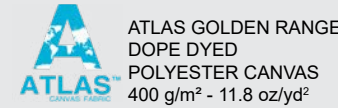
STAINLESS STEEL BIMINI TOPS



CRUISER BIMINI TOPS



Premium quality bimini tops with integrated storage boot
 - Top stitched double seams, sewn with UV bonded thread for maximum strength.
 - Integrated storage boot & support poles supplied.
 - 316 stainless steel components.

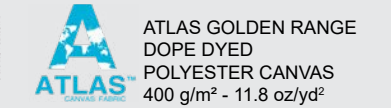


SAILBOAT BIMINI TOPS

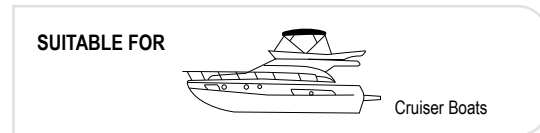
3 BOW STAINLESS STEEL BIMINI TOPS



Premium quality bimini tops with integrated storage boot
 - Top stitched double seams, sewn with UV bonded thread for maximum strength.
 - Integrated storage boot & support poles supplied.
 - 316 stainless steel components.

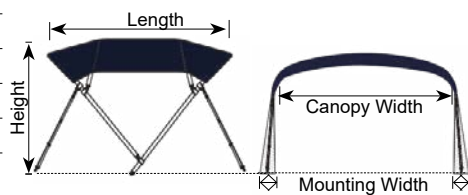


4 STAINLESS STEEL BOW BIMINI TOPS



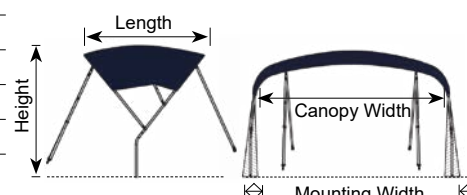
SKU	HEIGHT	LENGTH	CANOPY WIDTH	MOUNTING WIDTH
NA 066-1	1.35m	2.2m	1.95m	1.8 - 2.1m
NA 066-2	1.35m	2.2m	2.25m	2.1 - 2.4m
NA 066-3	1.55m	2.5m	2.55m	2.4 - 2.7m
NA 066-4	1.55m	2.5m	2.85m	2.7 - 3.0m
NA 066-5	1.55m	2.5m	3.15m	3.0 - 3.3m

F066-1, F066-2, F066-3, F066-4, F066-5 Replacement Fabric |
 *COLOUR SKU REQUIRED WHEN ORDERING e.g NA 066-1B



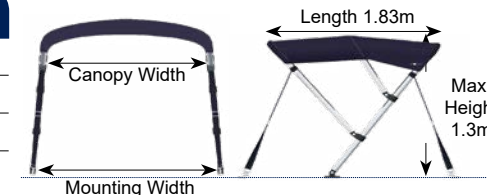
SKU	HEIGHT	LENGTH	CANOPY WIDTH	MOUNTING WIDTH
NA 065-1	1.35m	1.3m	1.95m	1.8 - 2.1m
NA 065-2	1.35m	1.3m	2.25m	2.1 - 2.4m
NA 065-3	1.55m	1.6m	2.55m	2.4 - 2.7m
NA 065-4	1.55m	1.6m	2.85m	2.7 - 3.0m
NA 065-5	1.55m	1.6m	3.15m	3.0 - 3.3m

F065-1, F065-2, F065-3, F065-4, F065-5 Replacement Fabric |
 *COLOUR SKU REQUIRED WHEN ORDERING e.g NA 065-1B



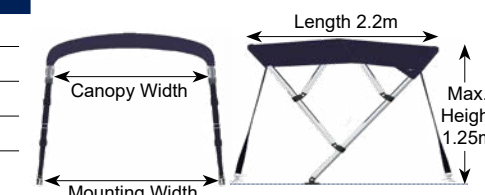
SKU	CANOPY WIDTH	MOUNTING WIDTH
MA 262-1	1.4m	1.5 - 1.7m
MA 262-2	1.6m	1.7 - 1.9m
MA 262-3	1.8m	1.9 - 2.1m

F062-1, F062-2, F062-3 - Replacement Fabric |
 *COLOUR SKU REQUIRED WHEN ORDERING e.g MA 262-1B



SKU	CANOPY WIDTH	MOUNTING WIDTH
MA 263-1	1.4m	1.5 - 1.7m
MA 263-2	1.6m	1.7 - 1.9m
MA 263-3	1.8m	1.9 - 2.1m
MA 263-4	2.0m	2.1 - 2.3m

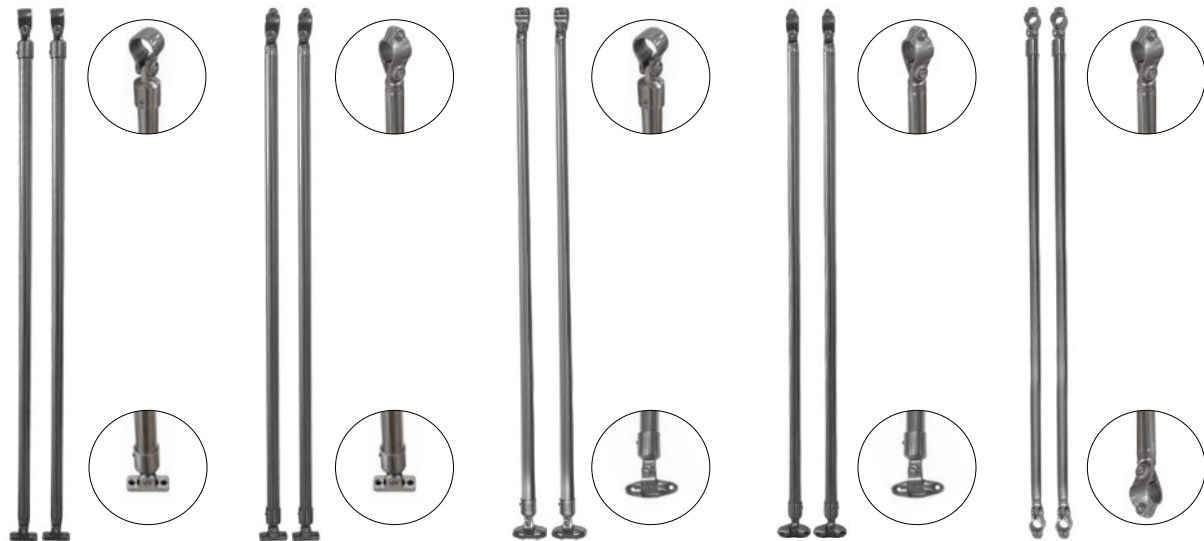
F063-1, F063-2, F063-3, F063-4 - Replacement Fabric |
 *COLOUR SKU REQUIRED WHEN ORDERING e.g MA 263-1B



STAINLESS STEEL COMPONENTS

<p>22001 UNIVERSAL HINGE DECK MOUNT 316 Stainless Steel</p> 	<p>22009 FIXED DECK MOUNT 316 Stainless Steel</p> 	<p>22012 SADDLE EYE STRAP Stainless Steel</p> 	<p>21012 WEBBING SADDLE FLAT 25mm (1") Stainless Steel</p> 	<p>22002 KNUCKLE Ø25mm 316 Stainless Steel</p> 	<p>22003 HINGE KNUCKLE Ø25mm 316 Stainless Steel</p> 
<p>21010 WEBBING SNAP HOOK 25mm (1") webbing 316 Stainless Steel</p> 	<p>21016 LADDER LOCK BUCKLE 25mm (1") Nylon</p> 	<p>21013 BIMINI TIE DOWN KIT (PAIR)</p> 	<p>101 316 STAINLESS STEEL TUBE O.D - Ø25.40mm (1") W.T - 1.2mm</p> 		
<p>22004 TUBE END CAP Ø25mm 316 Stainless Steel</p> 	<p>22005 TUBE END CAP INTERNAL Ø25mm 316 Stainless Steel</p> 				

BIMINI SUPPORT POLES



FIXED BASE & KNUCKLE
MA 051-60

FIXED BASE & OPEN KNUCKLE
MA 051-61

UNIVERSAL BASE & KNUCKLE
MA 051-62

UNIVERSAL BASE & OPEN KNUCKLE
MA 051-63

OPEN KNUCKLES ON BOTH ENDS
MA 051-64

- Supplied in pairs.
- Ø25 Stainless Steel tube.
- Length 1050mm.

SKU	TYPE
MA 051-60	Fixed Base & Knuckle
MA 051-61	Fixed Base & Open Knuckle
MA 051-62	Universal Base & Knuckle
MA 051-63	Universal Base & Open Knuckle
MA 051-64	Open Knuckles on Both Ends



ALUMINIUM BIMINI TOPS

ALUMINIUM BIMINI TOPS



ROOF TOPPER FOLDING 2 BOW BIMINI TOPS

ATLAS GOLDEN RANGE
DOPE DYED POLYESTER CANVAS
400 g/m² - 11.8 oz/yd²

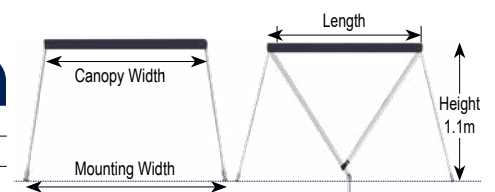


Premium quality bimini tops for roof topper boats

- Innovative self-locking tension hook system.
- Stores neatly in the included bag when not in use.
- Sturdy Ø25mm aluminium tubing.

SKU	CANOPY WIDTH	MOUNTING WIDTH	LENGTH
MA 061-1	1.2m	1.3 - 1.5m	1.45m
MA 061-2	1.4m	1.5 - 1.7m	1.6m

F061-1, F061-2 Replacement Fabric



2 BOW CLASSIC BIMINI TOPS

SUITABLE FOR

Ø25mm ALUMINIUM TUBE
1.6mm WALL THICKNESS



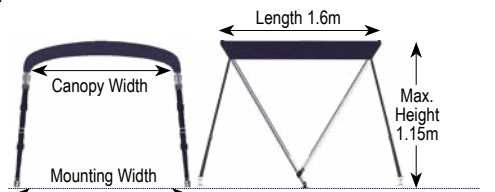
Optional Components
Inflatable Boat Mounts available

50390 DECK MOUNT

Premium quality bimini tops with integrated storage boot

SKU	CANOPY WIDTH	MOUNTING WIDTH
MA 060-1	1.0m	1.1 - 1.3m
MA 060-2	1.2m	1.3 - 1.5m
MA 060-3	1.4m	1.5 - 1.7m

F060-1, F060-2, F060-3 - Replacement Fabric |
*COLOUR SKU REQUIRED WHEN ORDERING e.g MA 060-1B



3 BOW CLASSIC BIMINI TOPS

Ø25mm ALUMINIUM TUBE
1.6mm WALL THICKNESS

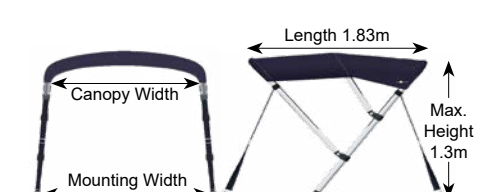


SUITABLE FOR

Premium quality bimini tops with integrated storage boot

SKU	CANOPY WIDTH	MOUNTING WIDTH
MA 062-1	1.4m	1.5 - 1.7m
MA 062-2	1.6m	1.7 - 1.9m
MA 062-3	1.8m	1.9 - 2.1m

F062-1, F062-2, F062-3 - Replacement Fabric |
*COLOUR SKU REQUIRED WHEN ORDERING e.g MA 062-1B

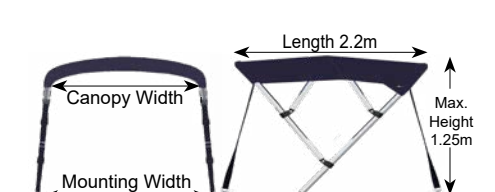


4 BOW CLASSIC BIMINI TOPS

ATLAS GOLDEN RANGE
DOPE DYED POLYESTER CANVAS
400 g/m² - 11.8 oz/yd²

SKU	CANOPY WIDTH	MOUNTING WIDTH
MA 063-1	1.4m	1.5 - 1.7m
MA 063-2	1.6m	1.7 - 1.9m
MA 063-3	1.8m	1.9 - 2.1m
MA 063-4	2.0m	2.1 - 2.3m

F063-1, F063-2, F063-3, F063-4 - Replacement Fabric |
*COLOUR SKU REQUIRED WHEN ORDERING e.g MA 063-1B



WHITEWATER BIMINI TOPS



WHITEWATER BIMINI - WITH ROCKET LAUNCHER

WHITEWATER BIMINI TOP

WHITEWATER PRO BIMINI - WITH ROCKET LAUNCHER

WHITEWATER PRO BIMINI TOP

Ø25mm ALUMINIUM TUBE
1.6mm WALL THICKNESS



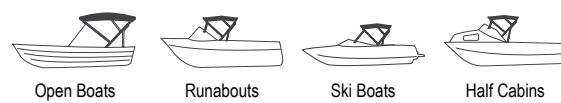
ATLAS GOLDEN RANGE
DOPE DYED POLYESTER CANVAS
400 g/m² - 11.8 oz/yd²

Ø25mm ALUMINIUM Tube
3mm WALL THICKNESS

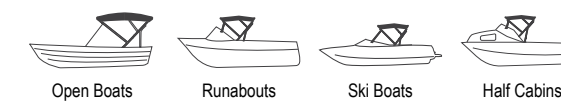


ATLAS GOLDEN RANGE
DOPE DYED POLYESTER CANVAS
400 g/m² - 11.8 oz/yd²

SUITABLE FOR



SUITABLE FOR



Optional Components

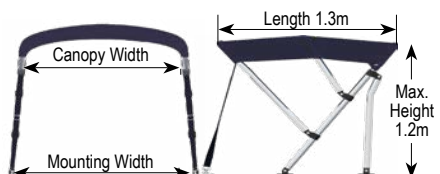
(WhiteWater PRO only)

21041

HEIGHT EXTENDERS 150mm (PAIR)

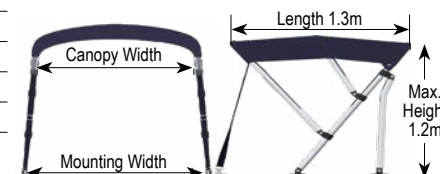
SKU	CANOPY WIDTH	MOUNTING WIDTH
MA 093-0	1.2m	1.3 - 1.5m
MA 093-1	1.4m	1.5 - 1.7m
MA 093-2	1.6m	1.7 - 1.9m
MA 093-3	1.8m	1.9 - 2.1m
MA 093-4	2.0m	2.1 - 2.3m

F090-0, F090-1, F090-2, F090-3, F090-4 Replacement Fabric |
*COLOUR SKU REQUIRED WHEN ORDERING e.g MA 093-1B



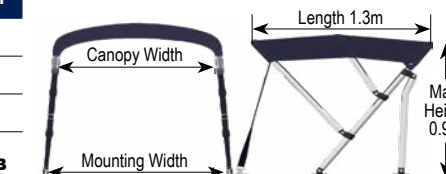
SKU	CANOPY WIDTH	MOUNTING WIDTH
MA 090-0	1.2m	1.3 - 1.5m
MA 090-1	1.4m	1.5 - 1.7m
MA 090-2	1.6m	1.7 - 1.9m
MA 090-3	1.8m	1.9 - 2.1m
MA 090-4	2.0m	2.1 - 2.3m

F090-0, F090-1, F090-2, F090-3, F090-4 Replacement Fabric |
*COLOUR SKU REQUIRED WHEN ORDERING e.g MA 090-1B



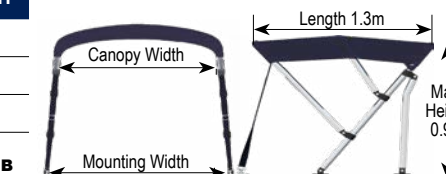
SKU	CANOPY WIDTH	MOUNTING WIDTH
MA 099-1	1.3m	1.5 - 1.7m
MA 099-2	1.5m	1.7 - 1.9m
MA 099-3	1.7m	1.9 - 2.1m

F099-1, F099-2, F099-3 Replacement Fabric |
*COLOUR SKU REQUIRED WHEN ORDERING e.g MA 099-1B

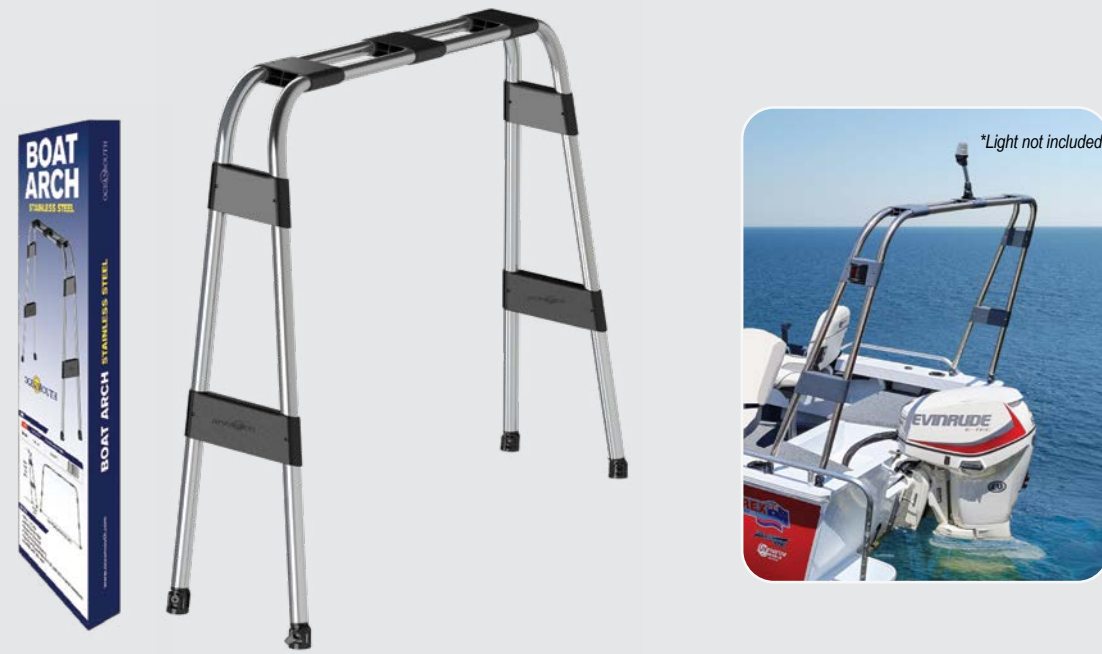


SKU	CANOPY WIDTH	MOUNTING WIDTH
MA 095-1	1.3m	1.5 - 1.7m
MA 095-2	1.5m	1.7 - 1.9m
MA 095-3	1.7m	1.9 - 2.1m

F095-1, F095-2, F095-3 Replacement Fabric |
*COLOUR SKU REQUIRED WHEN ORDERING e.g MA 095-1B



ROCKET LAUNCHERS



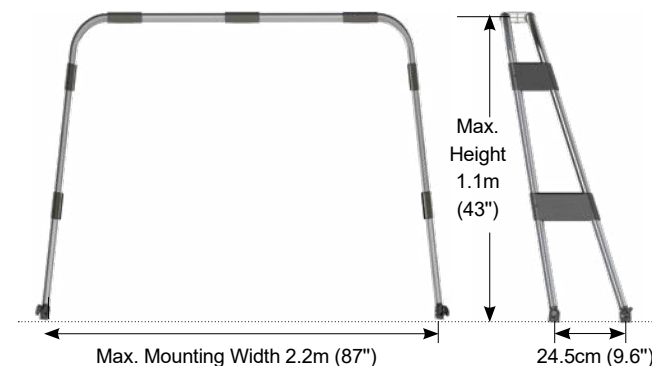
BOAT ARCH

Ø32mm STAINLESS STEEL Tube
1.2mm WALL THICKNESS

The free-standing Oceansouth boat arch is an excellent addition to your boat. It is easily assembled and features unique universal mounts. The universal base mount has a beveled base, enabling a variety of possible mounting positions.

- 32mm (1 1/4") tube & AISI 316 stainless steel.
- Designed to fit any boat.
- Foldable for storage & trailering.
- Supplied support plates allow for the installation of lights and navigation Instruments.
- Adjustable width and height.

SKU	MAX. HEIGHT	MAX. MOUNTING WIDTH
MA 009	1.1m (43")	2.2m (87")



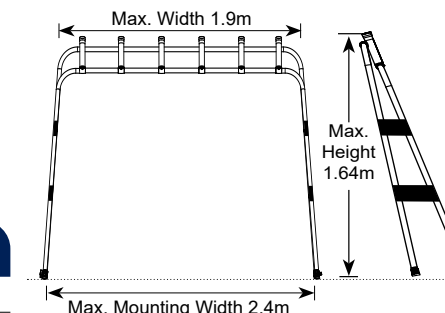
FREE STANDING ROCKET LAUNCHER

Ø32mm ALUMINIUM TUBE
1.6mm WALL THICKNESS

The Oceansouth free-standing rocket launcher is a fantastic upgrade for your boat, allowing rods to be safely stowed above deck space. It is easily assembled and features unique universal mounts. The universal base mount has a beveled base, enabling a variety of possible mounting positions.

- 6 Hi-Impact non-corrosive polymer rod holder - metallic finish.
- All connectors and mounts made from marine grade nylon.
- Crossbars can be used to mount equipment.

SKU	MAX. WIDTH	MAX. HEIGHT	MAX. MOUNTING WIDTH
MA 100	1.9m	1.64m	2.4m



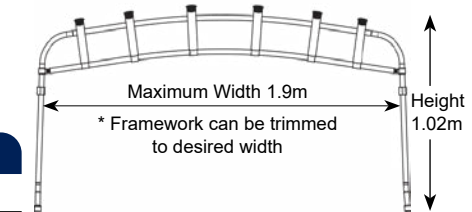
'CLAMP ON' ROCKET LAUNCHER

Ø25mm ALUMINIUM Tube
1.6mm WALL THICKNESS

The 'clamp-on' rocket launcher has been designed to team with just about any bimini or canopy with 25mm framework. The sleek and robust design will compliment any boat top.

- Attaches to bimini constructed with 25mm tube.
- Fits biminis or canopies up to 1.9m canopy width.
- Alloy double knuckle clamp attaches rocket launcher firmly to bimini frame.
- All fasteners made from 316 grade stainless steel.
- Can be trimmed to suit your bimini width.

SKU	MAXIMUM WIDTH
MA 110	1.9m

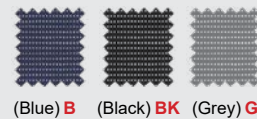




BIMINI TOP EXTENSION

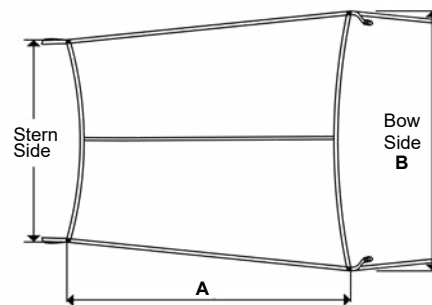


ATLAS AIRFLOW
POLYESTER/PVC CANVAS
320 g/m² - 9.44 oz/yd²



This versatile sunshade kit extends the shaded area of the bimini. It takes only a few minutes to install and is easily folded for compact storage. It can be used while anchored or motoring at up to 20 knots.

- Ø32mm - Ø25mm adjustable aluminium poles with tapered collar ends, fit securely into rod holder mounts.
- Excellent tear and abrasion resistance.
- Polyester webbing straps with adjustment buckles.
- Webbing reinforced surround edges and attachment loops.



SKU	A	B
MA 046-1	1.7m	1.7m
MA 046-2	1.7m	2.1m

*COLOUR SKU REQUIRED WHEN ORDERING e.g MA 046-1B

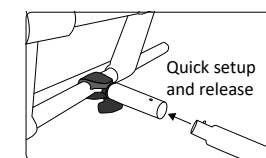
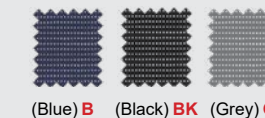


NEW

ROCKET LAUNCHER BIMINI TOP EXTENDER



ATLAS AIRFLOW
POLYESTER/PVC CANVAS
320 g/m² - 9.44 oz/yd²

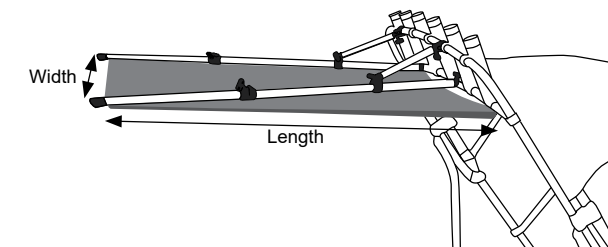


SKU	WIDTH	LENGTH
MA 044-1	1.37m	1.21m
MA 044-2	1.82m	2.52m

*COLOUR SKU REQUIRED WHEN ORDERING e.g MA 044-1B

Oceansouth's new rocket launcher bimini top extender was designed for effortless installation. It provides reliable sun protection and is easy to uninstall and store when not in use.

- Secures tightly to the boat's existing rod rack with rail mounts, thumb screws, web strapping and buckles for a firm hold.
- Made with lightweight yet strong 25mm anodised aluminium poles for durability and adjustability.
- Compatible with oceansouth clamp-on rod racks and most 25mm stainless steel or aluminium frames.
- Provides reliable sun protection and is easy to remove and store when unused.
- Marine-Grade durability: UV-treated fabric withstands harsh conditions and handles speeds up to 30 knots.



COMPONENTS

KNUCKLES

21004
KNUCKLE
Ø25mm
Nylon



21038
KNUCKLE
CLOSED
STYLE
Ø25mm
Nylon



21014
DOUBLE
KNUCKLE
CLAMP
Ø25mm
Alloy



TUBE ENDS

21005
TUBE END
Ø25mm x 1.6mm
Nylon



21039
TUBE END
Ø25mm x 3mm
Nylon



DECK MOUNTS

21036
UNIVERSAL
HINGE
DECK MOUNT
Nylon



21001
DECK MOUNT
Nylon



21037
DECK MOUNT
NARROW
Nylon



50390
DECK MOUNT
Inflatable Boat



22012
SADDLE
EYE STRAP
Stainless Steel



21012
WEBBING
SADDLE FLAT
25mm (1")
Stainless Steel



21010
WEBBING SNAP
HOOK
25mm (1") webbing
Stainless Steel



21016
LADDERLOCK
BUCKLE
25mm (1")
Nylon



21006-2
THUMB SCREW
6mm 1/4" thread
suits Deck mount
& Knuckle Nylon



21151
ROD HOLDER
High impact
polymer
Metallic Finish
Ø25mm



21013
BIMINI TIE DOWN
KIT (PAIR)



ROCKET LAUNCHER/ BOAT ARCH COMPONENTS

21022
UNIVERSAL
MOUNT
W/THUMB SCREW
Ø32mm
Polymer



21023
RAIL MOUNT
Ø32mm
Polymer
(Ø25mm Rails)



21028
KNUCKLE
W/THUMB
SCREW
Ø32mm
Polymer



21040
MOUNT FOR
NAVIGATION
LIGHT
Ø32mm
Polymer



ANODISED ALUMINIUM TUBES



103 106 109

SKU	DESCRIPTION
103	O.D - Ø25mm (1") W.T - 1.6mm
106	O.D - Ø32mm (1¼") W.T - 1.6mm
109	O.D - Ø44mm (1¼") W.T - 2mm

BIMINI SUPPORT POLES



TELESCOPIC
MA 051-3
FIXED
MA 051-4
ANGLED
MA 051-5

- Supplied in Pairs

SKU	TYPE	SIZE
MA 051-3	Ø25 Telescopic AL	700-1250mm
MA 051-4	Ø25 Fixed AL	1100mm
MA 051-5	Ø25 Angled AL	900mm

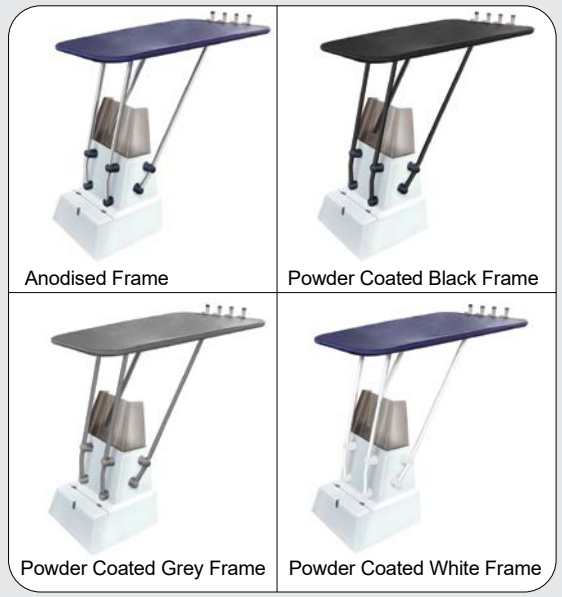


T-TOPS & BOAT TOPS

NEW HEAVY DUTY T-TOPS



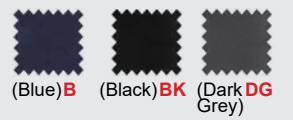
(Rod Holders not included)



NEW HEAVY DUTY - CONSOLE MOUNT

Ø44mm ALUMINIUM TUBE
2mm WALL THICKNESS

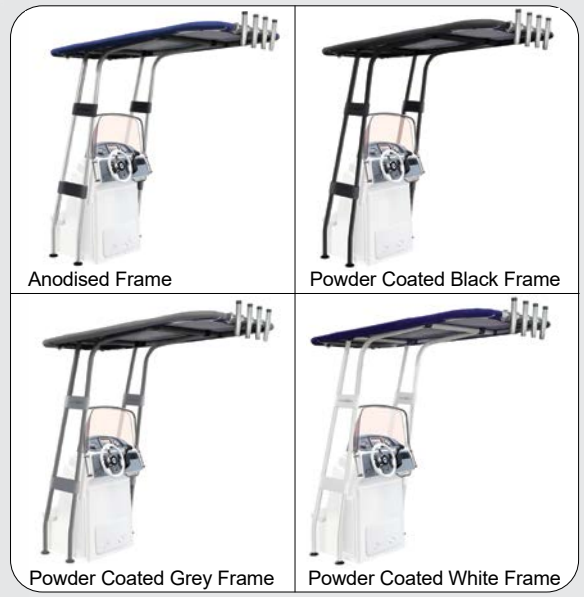
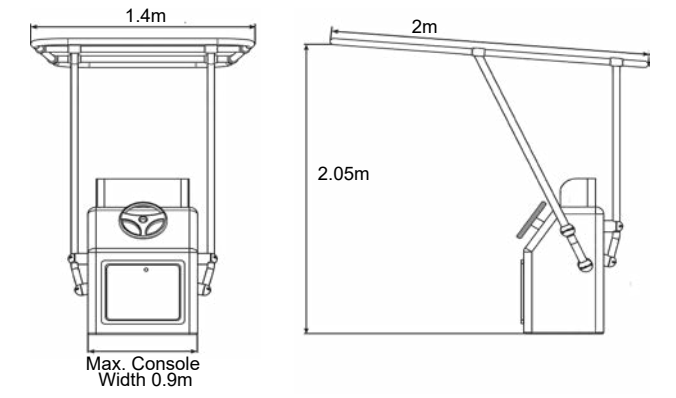
ATLAS GOLDEN RANGE
DOPE DYED POLYESTER CANVAS
310 g/m² - 9.14 oz/yd²



SKU	DESCRIPTION
MA 185W	Powder Coated White Frame
MA 185G	Powder Coated Grey Frame
MA 185BK	Powder Coated Black Frame
MA 185A	Anodised Frame

*COLOUR SKU REQUIRED WHEN ORDERING e.g MA 185W-B

- Top can be removed for storage.
- Optional rod holders & accessory mounts available.
- All connectors & mounts made from marine grade polymers.
- 316 grade stainless steel fasteners.



HEAVY DUTY - DECK MOUNT

Ø44mm ALUMINIUM TUBE
2mm WALL THICKNESS

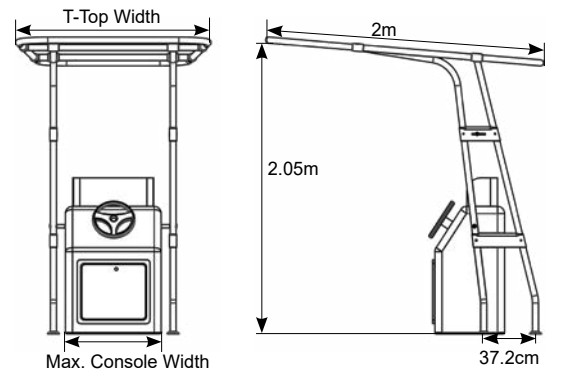
ATLAS GOLDEN RANGE
DOPE DYED POLYESTER CANVAS
310 g/m² - 9.14 oz/yd²



SKU	DESCRIPTION	T-TOP WIDTH	MAX. CONWIDTH
MA 182W	Powder Coated White	1.4m	0.9m
MA 182G	Powder Coated Grey	1.4m	0.9m
MA 182BK	Powder Coated Black	1.4m	0.9m
MA 182A	Anodised	1.4m	0.9m
MA 183W	Powder Coated White	1.6m	1.1m
MA 183G	Powder Coated Grey	1.6m	1.1m
MA 183BK	Powder Coated Black	1.6m	1.1m
MA 183A	Anodised	1.6m	1.1m

*COLOUR SKU REQUIRED WHEN ORDERING e.g MA 182W-B

- Top can be removed for storage.
- Optional rod holders & accessory mounts available.
- All connectors & mounts made from marine grade polymers.
- 316 grade stainless steel fasteners.





SEAGULL T-TOP (RETRACTABLE)



Ø32mm ALUMINIUM TUBE
1.6mm WALL THICKNESS



ATLAS GOLDEN RANGE
DOPE DYED POLYESTER CANVAS
310 g/m² - 9.14 oz/yd²



(Blue) B (Black) BK



SIGNATURE T-TOP



Ø32mm ALUMINIUM TUBE
1.6mm WALL THICKNESS



ATLAS GOLDEN RANGE
DOPE DYED POLYESTER CANVAS
310 g/m² - 9.14 oz/yd²



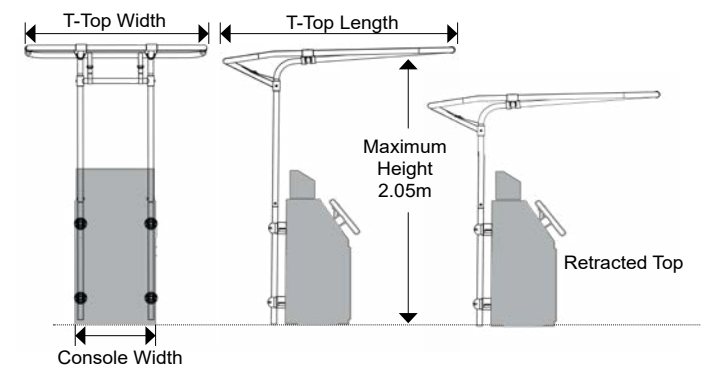
(Blue) B (Black) BK

SKU	T-TOP LENGTH	T-TOP WIDTH	MAX. CON WIDTH
MA 081-0	1.35m	1.05m	0.65m
MA 081-1	1.5m	1.2m	0.85m
MA 081-2	1.5m	1.4m	1.05m

F081-0, F081-1, F081-2 Replacement Fabric |
*COLOUR SKU REQUIRED WHEN ORDERING e.g MA 081-0BK

Designed to fit centre or side console boats

- Versatile mounting options.
- Adjustable height and width.
- Retractable or removable for when not in use.
- 316 grade stainless steel fasteners.

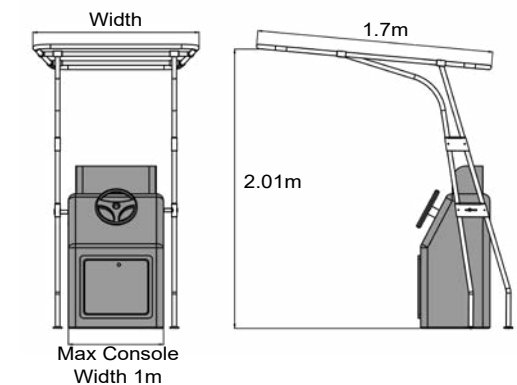


SKU	T-TOP LENGTH	T-TOP WIDTH	HEIGHT
MA 180A	1.7m	1.2m	2.01m
MA 181A	1.7m	1.4m	2.01m

*COLOUR SKU REQUIRED WHEN ORDERING e.g MA 180A-B

The Oceansouth signature T-Top is engineered to withstand the most challenging marine conditions, ensuring longevity and reliability in harsh environments.

- Top can be removed for storage.
- 2.01m maximum height.
- Aerodynamic, sleek design.
- Optional rod holders & accessory mounts available.
- All connectors & mounts made from marine grade polymers.
- 316 grade stainless steel fasteners.





OPTIONAL COMPONENTS

21153
INDIVIDUAL ROD HOLDERS
EASILY FITTED
TO SUIT 32mm TUBE



FISHERMAN TOP

Ø32mm ALUMINIUM TUBE
1.6mm WALL THICKNESS

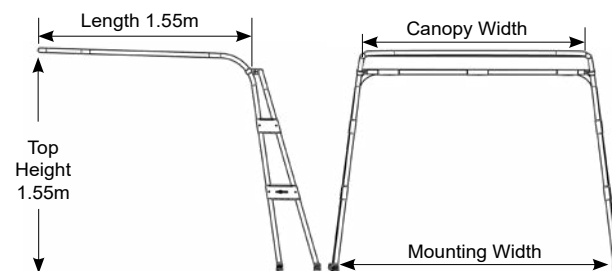


ATLAS GOLDEN RANGE
DOPE DYED POLYESTER CANVAS
310 g/m² - 9.14 oz/ld²



The fisherman top is designed for small to medium "open style" boats. The top offers excellent shelter from the sun and rain as well as safe mounting for equipment on board: navigation lights, antennas, deck lights, rod holders, etc.

- All connectors and mounts are made from marine-grade polymer.
- UV resistant nylon components.
- 316 grade stainless steel fasteners.
- Extremely durable and performs efficiently at speeds of up to 50 knots.
- Suitable for road trailering at moderate speeds.



SKU	MOUNTING WIDTH	CANOPY WIDTH
MA 050-1	1.5m - 1.7m	1.23m
MA 050-2	1.7m - 1.9m	1.43m
MA 050-3	1.9m - 2.1m	1.63m
MA 050-4	2.1m - 2.3m	1.83m

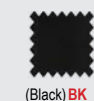
*COLOUR SKU REQUIRED WHEN ORDERING e.g MA 050-1B

NEW TARGA TOP

Ø44mm ALUMINIUM TUBE
1.6mm WALL THICKNESS

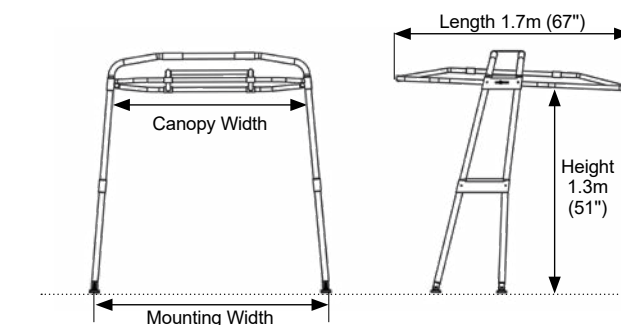


ATLAS GOLDEN RANGE
DOPE DYED POLYESTER CANVAS
310 g/m² - 9.14 oz/ld²



- Stylish black powder coated aluminium Ø44mm frame.
- 316-Marine grade stainless steel fasteners.
- All connectors and mounts made from marine grade nylon.
- Aerodynamic sleek design.
- Easy to remove & clean canopy fabric.
- Travels comfortably on the water at 40-50 knots.
- Optional rod holders & accessory mounts are available.
- The 44mm (1 3/4") crossbars can also be used to mount other equipment such as GPS, VHF, or navigation lights.

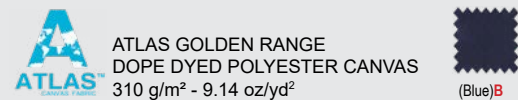
SKU	MOUNTING WIDTH	CANOPY WIDTH
MA 186BK-BK	1.5m - 1.7m (59" - 67")	1.4m (55")
MA 187BK-BK	1.7m - 1.9m (67" - 75")	1.6m (63")
MA 188BK-BK	1.9m - 2.1m (75" - 83")	1.8m (71")
MA 189BK-BK	2.1m - 2.3m (83" - 90")	2.0m (79")



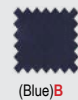
BOAT TOPS



DECK TOP

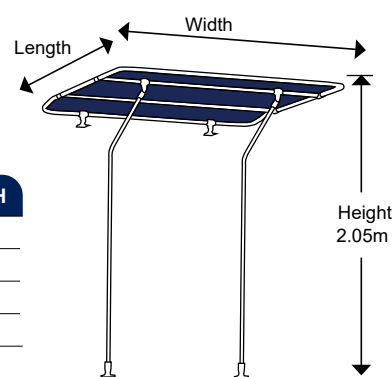


ATLAS GOLDEN RANGE
DOPE DYED POLYESTER CANVAS
310 g/m² - 9.14 oz/lyd²



Oceansouth's deck top is the most versatile top in the marine market, designed to fit a wide range of configurations.

- Ø32mm anodised aluminium tube.
- Marine grade nylon mounts and connectors.
- Stainless steel fittings.
- Top can be removed for storage.
- Medium assembling skills required.



SKU	CANOPY LENGTH	CANOPY WIDTH
MA 085-1	1.6m	1.8m
MA 085-2	2.0m	2.0m
MA 085-3	2.15m	2.15m
MA 085-4	2.15m	2.5m

F085-1, F085-2, F085-3, F085-4 Replacement Fabric

COMPONENTS

Ø44mm COMPONENTS

21042
MOUNT FOR
NAVIGATION
LIGHT
Ø44mm
Reinforced Nylon



21082
T JOINER
Ø44mm
Capron HMGB
Reinforced Nylon



21080
SIDE MOUNT
Ø44mm
Capron HMGB
Reinforced Nylon



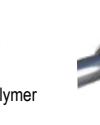
21084
SIDE MOUNT
BOTTOM
Ø44mm
Capron HMGB
Reinforced Nylon



21081
BASE MOUNT
Ø44mm
Capron HMGB
Reinforced Nylon



21152
ROD HOLDER
Ø44 mm
High impact polymer
metallic finish



Ø32mm COMPONENTS

21040
MOUNT FOR
NAVIGATION
LIGHT
Ø32mm
Polymer



21032
T JOINER
Ø32mm
Polymer



21020
SIDE MOUNT
Ø32mm
Polymer
S/S Screws



21019
SIDE MOUNT
Ø32mm
Polymer



21030
JOINER 900
(PAIR)
Ø32mm
Polymer



21021
BASE MOUNT
Ø32mm
Polymer

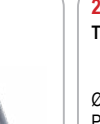


21153
ROD HOLDER
Ø32mm
High impact polymer
Metallic finish



DECK TOP COMPONENTS

21024
TUBE END
DECK MOUNT
Ø32mm
Polymer



21032
T JOINER
Ø32mm
Polymer



21040
MOUNT FOR
NAVIGATION
LIGHT
Ø32mm
Polymer



21025
UNIVERSAL
CROSSBAR
TOP MOUNT
Ø32mm
Polymer



21026
UNIVERSAL
CROSSBAR
T JOINER
Ø32mm
Polymer



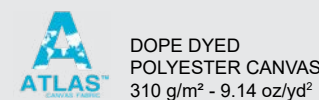
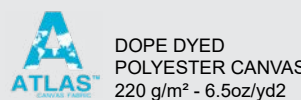
T-TOP EXTENSIONS & COVERS



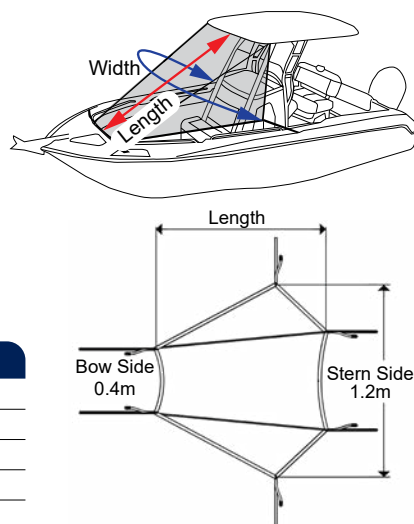
BOW SHADE EXTENSIONS

STERN SHADE EXTENSIONS

FREE STANDING T-TOP EXTENDER



- Ideal for T-Tops, they attach effortlessly to create an extensive shaded area.
- It can also be installed for extended periods to protect cushions from damaging UV rays.
- Folds neatly away for compact storage.



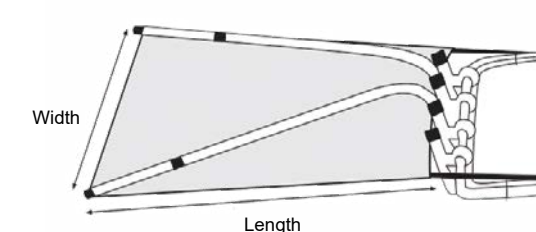
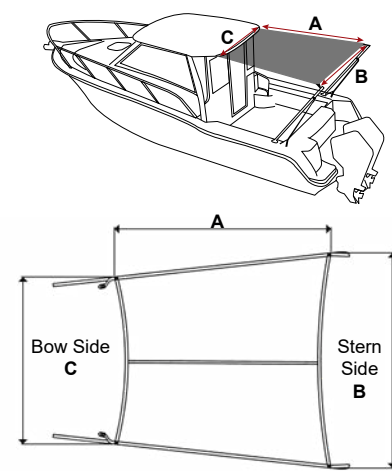
SKU	LENGTH	WIDTH
MA 047-1	2.00m (6')	2.75m (9')
MA 047-2	2.13m (7')	2.75m (9')
MA 047-3	2.45m (8')	2.9m (9.5')
MA 047-4	2.75m (9')	3.05m (10')

*COLOUR SKU REQUIRED WHEN ORDERING e.g MA 047-1B

- The stern shade kit is simple to install, extending the shaded area up to 2.3m.
- Supplied with stainless steel telescopic poles (1.3m - 2m) that fit securely into rod holder mounts.
- Shade's height can be adjusted for comfortable seating or standing.
- Use at anchor or motoring up to 20 knots.

SKU	A	B	C
MA 045-1	1.2m (4')	1.5m (5')	1.2m (4')
MA 045-2	1.5m (5')	1.5m (5')	1.2m (4')
MA 045-3	1.8m (6')	1.5m (5')	1.2m (4')
MA 045-4	1.8m (6')	2.1m (7')	1.5m (5')
MA 045-5	2.1m (7')	2.1m (7')	1.5m (5')
MA 045-6	2.4m (8')	2.1m (7')	1.5m (5')
MA 045-7	2.6m (8.5')	2.0m (6.5')	1.7m (5.5')
MA 045-8	2.9m (9.5')	2.0m (6.5')	1.7m (5.5')
MA 045-9	2.6m (8.5')	2.3m (7.5')	2.0m (6.5')
MA 045-10	2.9m (9.5')	2.3m (7.5')	2.0m (6.5')
MA 045-11	2.9m (9.5')	2.6m (8.5')	2.3m (7.5')
MA 045-12	3.2m (10.5')	2.6m (8.5')	2.3m (7.5')
MA 045-13	2.9m (9.5')	2.9m (9.5')	2.6m (8.5')
MA 045-14	3.2m (10.5')	2.9m (9.5')	2.6m (8.5')

*COLOUR SKU REQUIRED WHEN ORDERING e.g MA 045-1B



SKU	WIDTH	LENGTH
MA 049-1	1.37m	1.21m
MA 049-2	1.82m	1.52m

*COLOUR SKU REQUIRED WHEN ORDERING e.g MA 049-1BK

The free-standing T-Top extender is a versatile sunshade extension that extends the shaded area of the boat.

- The extension kit extends the shaded area up to 1.52m
- Dope dyed polyester canvas 200g/m²
- Breathable and UV-resistant fabric.
- Supplied with stainless steel telescopic poles, fabric & polyester webbing Straps.
- Easy install into existing rod holders.
- Webbing straps easily secure to your existing T-top frame.
- Easily removed for storage.
- No tools or drilling required.



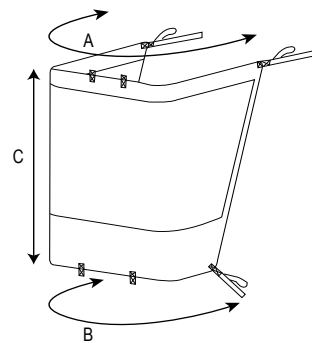
COVERS FOR T-TOPS



ENCLOSURES FOR T-TOPS

Wrap around spray shield provides excellent protection against the rain and wind, quick and easy to fit even out at sea.

- Secure and easy attachment with polyester webbing straps and adjustment buckles.
- Unobstructed side and front views.
- Reinforced top and base hem for added strength against the strongest gales.
- Easily removed, roll up and stored when not in use.



SKU	SIZE	A	B	C
MA 089-2	Consoles up to 700mm	2.63m	1.70m	1.05m
MA 089-3	Consoles over 700mm	3.03m	2.10m	1.05m



CONSOLE COVER FOR T-TOP

Center console T-Top cover is easily attached to the underside of T-Top. Designed to cover the console and helm seat.



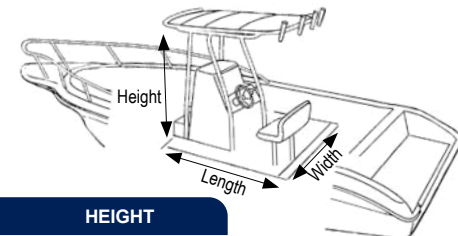
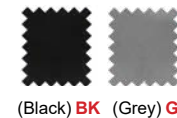
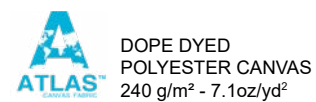
Full length size #8 derlin zipper



25mm webbing & nylon adjustment buckles



Elasticized band across helm seat.



SKU	WIDTH	LENGTH	HEIGHT
MA 083-2	1.2m	1.5m	1.8m
MA 083-3	1.2m	1.83m	1.8m
MA 083-4	1.3m	2.15m	1.8m

*COLOUR SKU REQUIRED WHEN ORDERING e.g MA 083-2BK



100% High tech Polyester



Breathable



50+ UV Rated



Water Repellent



All Weather Conditions

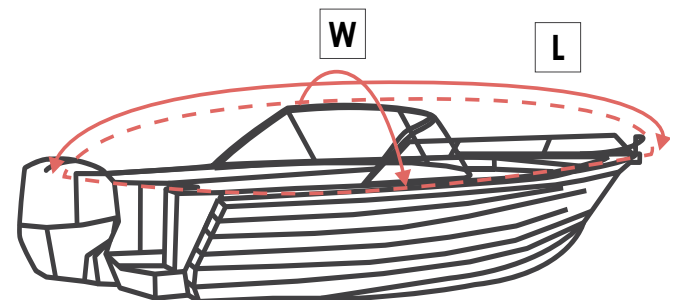


BOAT COVERS

OVERALL FABRIC MEASUREMENTS

OVERALL COVER DIMENSIONS

- W** Overall fabric width
- L** Overall fabric length



1. MEASURE THE OVERALL FABRIC LENGTH

Using a tape measure, take the following measurements on your boat making sure you measure from 20-30cm below the point of the bow of the boat (assume this is where the hem of the cover will be) all the way back to 20-30cm below the stern, ensuring the tape measure goes over the highest parts of the boat, ie, windscreen, bimini, roof, rocket launchers, stern bait board (whichever of these is applicable).

2. MEASURE THE OVERALL FABRIC WIDTH

Using a tape measure, take a measurement 20-30cm below the widest part of your boat on the port side gunnel and across to 20-30cm below the opposite starboard gunnel ensuring that the measurement goes over the highest part of the boat, windscreen, bimini, rocket launcher (whichever of these is applicable).



JUMBO BOAT COVER



- Specifically designed to fit centre cabin style (with bimini) boats.
- High cut pattern will comfortably fit over high rails and rocket launchers.
- Adjustable bow opening to accommodate bow sprit and anchor.
- Heavy duty cover, ideal for short or long term storage.
- Available in black and grey.
- Recommended for light trailering use, 60km/h maximum.

SKU	BOAT LENGTH	MAX. BEAM WIDTH	MAX. HEIGHT	FABRIC WIDTH	FABRIC LENGTH
MA 501-0	5.2 - 5.8m	2.40m	1.35m	5250mm	7680mm
MA 501-1	5.8 - 6.4m	2.40m	1.35m	5300mm	8180mm
MA 501-2	6.4 - 7.0m	2.50m	1.35m	5500mm	8830mm
MA 501-3	7.0 - 7.6m	2.70m	1.50m	5700mm	9480mm
MA 501-4	7.6 - 8.2m	2.90m	1.50m	5900mm	10080mm

Use **BK** with the product SKU when ordering Black Cover e.g. **MA 501-0BK**



ATLAS
DOPE DYED
POLYESTER CANVAS
280 g/m² - 8.2oz/yd²

PILOT/CRUISER BOAT COVER



- Specifically designed to fit pilot/cruiser boats.
- Air vents on each side of the cover.
- Twin rope cleat for easy tightening.
- Heavy duty cover, ideal for short or long term storage.
- Supplied with large storage bag & high quality webbing straps.
- Recommended for light trailering use.

SKU	BOAT LENGTH	MAX. BEAM WIDTH	FABRIC WIDTH	FABRIC LENGTH
MA 503-1	5.5 - 6.0m	2.5m	5900mm	8400mm
MA 503-2	6.0 - 6.5m	2.7m	5900mm	9000mm
MA 503-3	6.5 - 7.0m	2.7m	5900mm	9500mm
MA 503-4	7.0 - 7.5m	2.9m	6300mm	9900mm
MA 503-5	7.5 - 8.0m	2.9m	6300mm	10400mm
MA 503-6	8.0 - 8.5m	3.1m	7100mm	11600mm
MA 503-7	8.5 - 9.0m	3.1m	7100mm	12100mm
MA 503-8	9.0 - 10.0m	3.5m	7400mm	13200mm
MA 503-9	10.0 - 11.0m	3.5m	7400mm	14200mm

Use **BK** with the product SKU when ordering Black Cover e.g. **MA 503-1BK**



T-TOP BOAT COVER



- Specifically designed to fit T-Top boats.
- Heavy duty cover, ideal for short or long term storage.
- Recommended for light trailering use, 60km/h maximum.

SKU	BOAT LENGTH	MAX. BEAM WIDTH	FABRIC WIDTH	FABRIC LENGTH
MA 505-1	5.3 - 5.6m	2.6m	5900mm	7950mm
MA 505-2	5.6 - 5.9m	2.6m	6000mm	8250mm
MA 505-3	5.9 - 6.2m	2.6m	6100mm	8600mm
MA 505-4	6.2 - 6.5m	2.6m	6200mm	8900mm
MA 505-5	6.5 - 6.8m	2.6m	6300mm	9200mm
MA 505-6	6.8 - 7.2m	2.6m	6400mm	9550mm
MA 505-7	7.2 - 7.5m	2.6m	6500mm	9800mm
MA 505-8	7.5 - 7.8m	2.6m	6500mm	10100mm
MA 505-9	7.8 - 8.1m	3m	6600mm	10400mm
MA 505-10	8.1 - 8.4m	3m	6700mm	10700mm
MA 505-11	8.4 - 8.7m	3m	6800mm	11000mm
MA 505-12	8.7 - 9.0m	3m	6900mm	11350mm
MA 505-13	9.0 - 9.3m	3m	6900mm	11600mm
MA 505-14	9.3 - 9.6m	3m	6900mm	11900mm
MA 505-15	9.6 - 9.9m	3m	6900mm	12150mm
MA 505-16	9.9 - 10.2m	3m	6900mm	12400mm
MA 505-17	10.2 - 10.5m	3m	6900mm	12700mm

BOAT COVERS

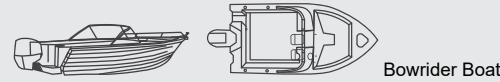
ATLAS
DOPE DYED
POLYESTER CANVAS
280 g/m² - 8.2oz/yd²



ATLAS
DOPE DYED
POLYESTER CANVAS
280 g/m² - 8.2oz/yd²



BOWRIDER BOAT COVERS



- Designed with a wide cut and tailored to fit across windscreen.
- Fits boats with bow rails up to 150mm height and windscreens up to 600mm height.
- Available in black and grey.
- Trailerable and suitable for highway towing.



- Premium quality covers suitable for large bowriders or runabouts without bowrails.
- Available in two styles - for Inboard motors or for outboard Motors.

SKU	BOAT LENGTH	WIDTH	FABRIC WIDTH	FABRIC LENGTH
BOATS WITH OUTBOARD MOTORS				
MA 200A-15	6.7m - 7.2m (21' 9" - 22' 6")	2.7m (8' 8")	5.1m	9.4m
MA 200A-16	7.2m - 7.8m (22' 7" - 25' 6")	2.7m (8' 8")	5.1m	10m
MA 200A-17	7.8m - 8.4m (25' 7" - 27' 6")	2.9m (9' 6")	5.3m	10.6m
MA 200A-18	8.4m - 9.0m (27' 7" - 29' 6")	3.1m (10' 2")	5.5m	11.2m
MA 200A-19	9.0m - 9.6m (29' 7" - 31' 6")	3.1m (10' 2")	5.5m	11.7m
MA 200A-20	9.6m - 10.2m (31' 7" - 33' 6")	3.1m (10' 2")	5.5m	12.3m
BOATS WITH INBOARD MOTORS				
MA 200B-15	6.7m - 7.2m (21' 9" - 22' 6")	2.7m (8' 8")	5.1m	9m
MA 200B-16	7.2m - 7.8m (22' 7" - 25' 6")	2.7m (8' 8")	5.1m	9.6m
MA 200B-17	7.8m - 8.4m (25' 7" - 27' 6")	2.9m (9' 6")	5.3m	10.1m
MA 200B-18	8.4m - 9.0m (27' 7" - 29' 6")	3.1m (10' 2")	5.5m	10.7m
MA 200B-19	9.0m - 9.6m (29' 7" - 31' 6")	3.1m (10' 2")	5.5m	11.3m
MA 200B-20	9.6m - 10.2m (31' 7" - 33' 6")	3.1m (10' 2")	5.5m	11.9m

SKU	BOAT LENGTH	MAX. BEAM WIDTH	FABRIC WIDTH	FABRIC LENGTH
MA 200 - 9	4.7 - 5.0m	2.25m	3190mm	5660mm
MA 200 - 10	5.0 - 5.3m	2.40m	3360mm	5960mm
MA 200 - 11	5.3 - 5.6m	2.40m	3360mm	6300mm
MA 200 - 12	5.6 - 5.9m	2.45m	3400mm	6600mm
MA 200 - 13	5.9 - 6.3m	2.50m	3440mm	7040mm
MA 200 - 14	6.3 - 6.7m	2.50m	3440mm	7440mm

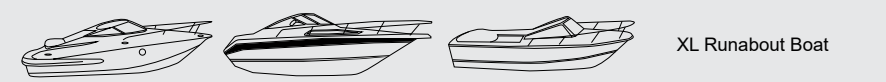
Use **BK** with the product SKU when ordering Black Cover e.g. **MA 200-9BK**

RUNABOUT BOAT COVERS



- Tailored fit across windscreen & smooth fit to stern.
- Fits boats with bow rails up to 250mm height and windscreen up to 600mm height.
- Trailerable and suitable for highway towing.

SKU	BOAT LENGTH	MAX. BEAM WIDTH	FABRIC WIDTH	FABRIC LENGTH
MA 203 - 6	4.1 - 4.3m	1.95m	2990mm	5020mm
MA 203 - 7	4.3 - 4.5m	2.05m	2990mm	5220mm
MA 203 - 8	4.5 - 4.7m	2.05m	2990mm	5420mm
MA 203 - 9	4.7 - 5.0m	2.25m	3190mm	5720mm
MA 203 - 10	5.0 - 5.3m	2.40m	3360mm	6020mm
MA 203 - 11	5.3 - 5.6m	2.40m	3360mm	6320mm
MA 203 - 12	5.6 - 5.9m	2.45m	3410mm	6620mm
MA 203 - 13	5.9 - 6.3m	2.50m	3460mm	7020mm
MA 203 - 14	6.3 - 6.7m	2.50m	3460mm	7420mm



- Premium quality covers for large runabouts and cuddy cabin boats with bowrails.
- Available in two styles - for Inboard motors or for outboard motors.

SKU	BOAT LENGTH	WIDTH
BOATS WITH OUTBOARD MOTORS		
MA 203A-15	6.7m - 7.2m (21' 9" - 22' 6")	2.7m (8' 8")
MA 203A-16	7.2m - 7.8m (22' 7" - 25' 6")	2.7m (8' 8")
MA 203A-17	7.8m - 8.4m (25' 7" - 27' 6")	2.9m (9' 6")
MA 203A-18	8.4m - 9.0m (27' 7" - 29' 6")	3.1m (10' 2")
MA 203A-19	9.0m - 9.6m (29' 7" - 31' 6")	3.1m (10' 2")
MA 203A-20	9.6m - 10.2m (31' 7" - 33' 6")	3.1m (10' 2")
BOATS WITH INBOARD MOTORS		
MA 203B-15	6.7m - 7.2m (21' 9" - 22' 6")	2.7m (8' 8")
MA 203B-16	7.2m - 7.8m (22' 7" - 25' 6")	2.7m (8' 8")
MA 203B-17	7.8m - 8.4m (25' 7" - 27' 6")	2.9m (9' 6")
MA 203B-18	8.4m - 9.0m (27' 7" - 29' 6")	3.1m (10' 2")
MA 203B-19	9.0m - 9.6m (29' 7" - 31' 6")	3.1m (10' 2")
MA 203B-20	9.6m - 10.2m (31' 7" - 33' 6")	3.1m (10' 2")

ATLAS
DOPE DYED
POLYESTER CANVAS
280 g/m² - 8.2oz/yd²



ATLAS
DOPE DYED
POLYESTER CANVAS
280 g/m² - 8.2oz/yd²



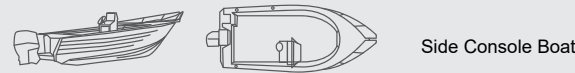
CENTRE CONSOLE BOAT COVER



- Wider cut across beam accommodates centre console.
- Fits boats with bow rails up to 350mm height and console (measured from Gunwale) up to 800mm height.
- Trailerable and suitable for highway towing.

SKU	BOAT LENGTH	MAX. BEAM WIDTH	FABRIC WIDTH	FABRIC LENGTH
MA 204 - 9	4.7 - 5.0m	2.25m	3270mm	5816mm
MA 204 - 10	5.0 - 5.3m	2.40m	3420mm	6115mm
MA 204 - 11	5.3 - 5.6m	2.40m	3420mm	6415mm
MA 204 - 12	5.6 - 5.9m	2.45m	3470mm	6715mm
MA 204 - 13	5.9 - 6.3m	2.50m	3520mm	7115mm
MA 204 - 14	6.3 - 6.7m	2.50m	3520mm	7515mm

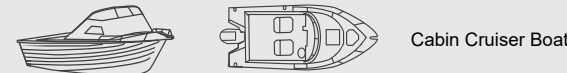
SIDE CONSOLE BOAT COVER



- Special cut to allow room for side console.
- Fits boats with bow rails up to 150mm height and console (measured from Gunwale) up to 700mm in height.
- Trailerable and suitable for highway towing.

SKU	BOAT LENGTH	MAX. BEAM WIDTH	FABRIC WIDTH	FABRIC LENGTH
MA 205 - 6	4.1 - 4.3m	1.95m	2895mm	4960mm
MA 205 - 7	4.3 - 4.5m	2.05m	2940mm	5110mm
MA 205 - 8	4.5 - 4.7m	2.05m	2995mm	5397mm
MA 205 - 9	4.7 - 5.0m	2.25m	3195mm	5697mm
MA 205 - 10	5.0 - 5.3m	2.40m	3445mm	5997mm
MA 205 - 11	5.3 - 5.7m	2.40m	3445mm	6297mm

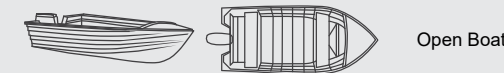
CABIN CRUISER BOAT COVER



- Tailored profile cut to accommodate cabin.
- Fits boats with bow rails up to 400mm height and windscreen or cabin up to 900mm height.
- Trailerable and suitable for highway towing.

SKU	BOAT LENGTH	MAX. BEAM WIDTH	FABRIC WIDTH	FABRIC LENGTH
MA 201 - 9	4.7 - 5.0m	2.25m	3360mm	5640mm
MA 201 - 10	5.0 - 5.3m	2.40m	3900mm	5940mm
MA 201 - 11	5.3 - 5.6m	2.40m	3900mm	6300mm
MA 201 - 12	5.6 - 5.9m	2.45m	3950mm	6600mm
MA 201 - 13	5.9 - 6.3m	2.50m	4040mm	7140mm
MA 201 - 14	6.3 - 6.7m	2.50m	4040mm	7540mm

OPEN BOAT COVER



- Smooth fit across boat and around hull.
- Fits boats with bow rails up to 150mm height.
- Available in black and grey.
- Trailerable and suitable for highway towing.

SKU	BOAT LENGTH	MAX. BEAM WIDTH	FABRIC WIDTH	FABRIC LENGTH
MA 202 - 3	3.5 - 3.7m	1.60m	2050mm	4300mm
MA 202 - 4	3.7 - 3.9m	1.70m	2150mm	4500mm
MA 202 - 5	3.9 - 4.1m	1.80m	2250mm	4700mm
MA 202 - 6	4.1 - 4.3m	1.95m	2400mm	4900mm
MA 202 - 7	4.3 - 4.5m	2.05m	2500mm	5100mm
MA 202 - 8	4.5 - 4.7m	2.05m	2500mm	5300mm
MA 202 - 9	4.7 - 5.0m	2.25m	2700mm	5600mm
MA 202 - 10	5.0 - 5.3m	2.4m	2700mm	5900mm
MA 202 - 11	5.3 - 5.6m	2.4m	2700mm	6200mm

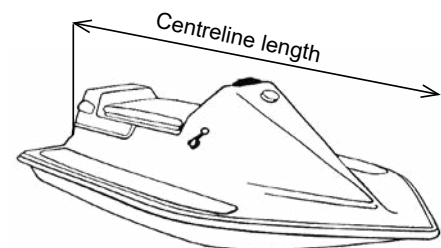
Use BK with the product SKU when ordering Black Cover e.g. MA 202-3BK



UNIVERSAL JET SKI COVER

- A durable cover available in 3 sizes.
- Fits a variety of Jet ski styles.
- Water resistant and breathable.
- An excellent choice for year round storage or an economical trailerable cover.
- Shock cord in hem for easy fit & secure tie down straps to tie it down for trailering.

ATLAS
DOPE DYED
POLYESTER CANVAS
280 g/m² - 8.2oz/yd²



SKU	CENTRELINE LENGTH
MA 077-1	2.5 - 2.9m
MA 077-2	2.9 - 3.4m
MA 077-3	3.4 - 3.7m



COVERS FOR KAWASAKI

- UV treated.
- Soft felt-lined underside.
- Internal 025mm web strap integrated into the hem.
- Adjustable buckle for ease of securing, no external straps required.
- Suitable for covering the Jet Ski/PWC whilst on a trailer, dry dock, pontoon or even when beached.

**Kawasaki, Seadoo and Yamaha models from 2020 onward*

SKU	KAWASAKI BRAND
MA 077-K101	ULTRA 310
MA 077-K102	ULTRA LX
MA 077-K201	STX 160LX
MA 077-K202	STX 160X
MA 077-K301	SXR800
MA 077-K402	SX-R 1500
MA 077-K601	ULTRA 310LX
MA 077-K602	ULTRA 310LX-S



COVERS FOR SEADOO

ATLAS ATLAS GOLDEN RANGE
DOPE DYED POLYESTER CANVAS
350 g/m² - 10.3 oz/yd²

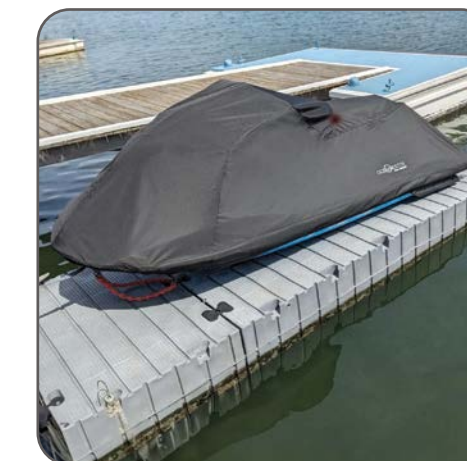
SKU	SEADOO BRAND
MA 077-S305	FISHPRO SCOUT 130
MA 077-S501	FISHPRO SCOUT 170
MA 077-S502	FISHPRO TROPHY 170
MA 077-S302	GTI 130
MA 077-S303	GTI SE 170
MA 077-S301	GTR 230
MA 077-S401	GTX 170
MA 077-S402	GTX 230
MA 077-S403	GTX LIMITED 300
MA 077-S304	RXP-X RS 300
MA 077-S404	RXT-X RS 300
MA 077-S101	SPARK 2UP
MA 077-S201	SPARK 3UP
MA 077-S102	SPARK TRIXX 2UP
MA 077-S102	SPARK TRIXX 3UP
MA 077-S405	WAKE PRO



COVERS FOR YAMAHA



SKU	YAMAHA BRAND
MA 077-Y203	EX
MA 077-Y202	EX DELUXE
MA 077-Y204	EXR
MA 077-Y404	FX CRUISER HO
MA 077-Y402	FX CRUISER SVHO
MA 077-Y401	FX LIMITED HO
MA 077-Y403	FX SVHO
MA 077-Y303	GP 1800
MA 077-Y302	GP 1800R HO
MA 077-Y301	GP 1800R SVHO
MA 077-Y501	JETBLASTER
MA 077-Y101	SUPERJET
MA 077-Y304	VX CRUISER
MA 077-Y306	VX CRUISER HO
MA 077-Y305	VX DELUXE



INFLATABLE BOAT COVERS



Full cut allows ample room to cover outboard motor.

Semi-custom fitted bow for a smoother fit.



DOPE DYED
POLYESTER CANVAS
280 g/m² - 8.2oz/yd²



DOPE DYED
POLYESTER CANVAS
280 g/m² - 8.2oz/yd²

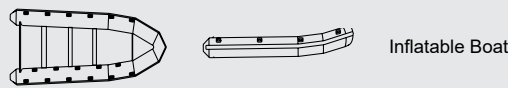


INFLATABLE BOAT COVER

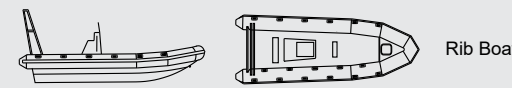
STYLE A - TRAILERABLE WITH REAR OPENINGS FOR ROLL BARS / ARCHES

STYLE B - FULL STORAGE COVER FOR RIBS FITTED WITH ROLL BARS / ARCHES

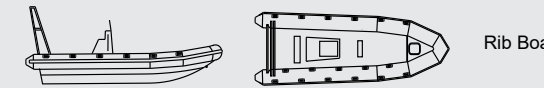
STYLE C - FULL STORAGE COVER FOR RIBS FITTED WITH T-TOP



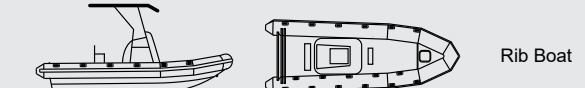
Inflatable Boat



Rib Boat



Rib Boat



Rib Boat

- Designed to fit inflatable boats with low consoles and their outboard motors.
- Ideal for winter or long-term storage.
- Provides full protection for the boat.
- Double stitched – lapped seam with the highest quality UV threads that ensures an extended life expectancy.
- 6mm braided rope encased in hem, rope ratchet for easy gathering and tighten down the cover.
- Storage bag supplied with a full set of rope ends, rope cleats and tie-down rope.

- Trailerable and suitable for highway towing.
- Provide full protection for the boat.
- Double stitched overlap seams for added strength.
- Durable and available in range of sizes.

- Trailerable and suitable for highway towing.
- Ideal for winter or long-term storage.
- Provide full protection for the boat.
- Double stitched overlap seams for added strength.

- Trailerable and suitable for highway towing.
- Ideal for winter or long-term storage.
- Provide full protection for the boat.
- Double stitched overlap seams for added strength.

SKU	BOAT LENGTH	MAX. BEAM WIDTH	FABRIC WIDTH	FABRIC LENGTH
MA 601 - 1	2.3 - 2.6m	1.5m	2350mm	3280mm
MA 601 - 2	2.6 - 2.9m	1.55m	2450mm	3580mm
MA 601 - 3	2.9 - 3.2m	1.65m	2550mm	3930mm
MA 601 - 4	3.2 - 3.6m	1.75m	2660mm	4330mm
MA 601 - 5	3.6 - 3.9m	1.90m	2810mm	4650mm
MA 601 - 6	3.9 - 4.3m	2.00m	3000mm	5112mm
MA 601 - 7	4.3 - 4.7m	2.10m	3100mm	5510mm

SKU	BOAT LENGTH	MAX. BEAM WIDTH	FABRIC WIDTH	FABRIC LENGTH
MA 602 - 6	3.9 - 4.2m	2.1m	3700mm	6000mm
MA 602 - 7	4.3 - 4.6m	2.1m	3700mm	6000mm
MA 602 - 8	4.7 - 5.0m	2.3m	3700mm	6000mm
MA 602 - 9	5.1 - 5.3m	2.3m	3800mm	6600mm
MA 602 - 10	5.4 - 5.6m	2.3m	3900mm	7000mm
MA 602 - 11	5.7 - 5.9m	2.3m	4000mm	7300mm
MA 602 - 12	6.0 - 6.3m	2.3m	4200mm	7600mm
MA 602 - 13	6.4 - 6.7m	2.5m	4300mm	7900mm
MA 602 - 14	6.8 - 7.1m	2.8m	4500mm	8400mm
MA 602 - 15	7.2 - 7.5m	2.8m	4600mm	8700mm
MA 602 - 16	7.6 - 7.9m	2.8m	4700mm	9100mm
MA 602 - 17	8.0 - 8.3m	2.8m	4800mm	9500mm
MA 602 - 18	8.4 - 8.7m	3.1m	5000mm	10000mm
MA 602 - 19	8.8 - 9.1m	3.1m	5100mm	10500mm

SKU	BOAT LENGTH	MAX. BEAM WIDTH	FABRIC WIDTH	FABRIC LENGTH
MA 603 - 6	3.9 - 4.2m	2.1m	4850mm	6000mm
MA 603 - 7	4.3 - 4.6m	2.1m	4850mm	6000mm
MA 603 - 8	4.7 - 5.0m	2.3m	4850mm	6000mm
MA 603 - 9	5.1 - 5.3m	2.3m	4850mm	6600mm
MA 603 - 10	5.4 - 5.6m	2.3m	4850mm	7000mm
MA 603 - 11	5.7 - 5.9m	2.3m	4850mm	7300mm
MA 603 - 12	6.0 - 6.3m	2.3m	4900mm	7600mm
MA 603 - 13	6.4 - 6.7m	2.5m	5050mm	7900mm
MA 603 - 14	6.8 - 7.1m	2.8m	5350mm	8400mm
MA 603 - 15	7.2 - 7.5m	2.8m	5350mm	8700mm
MA 603 - 16	7.6 - 7.9m	2.8m	5350mm	9100mm
MA 603 - 17	8.0 - 8.3m	2.8m	5350mm	9500mm
MA 603 - 18	8.4 - 8.7m	3.1m	5650mm	10000mm
MA 603 - 19	8.8 - 9.1m	3.1m	5650mm	10500mm

SKU	BOAT LENGTH	MAX. BEAM WIDTH
MA 604 - 12	6.0 - 6.3m	2.8m
MA 604 - 13	6.4 - 6.7m	2.8m
MA 604 - 14	6.8 - 7.1m	2.8m
MA 604 - 15	7.2 - 7.5m	2.8m
MA 604 - 16	7.6 - 7.9m	2.8m
MA 604 - 17	8.0 - 8.3m	2.8m
MA 604 - 18	8.4 - 8.7m	3.1m
MA 604 - 19	8.8 - 9.1m	3.1m
MA 604 - 20	9.2 - 9.5m	3.2m
MA 604 - 21	9.6 - 9.9m	3.2m
MA 604 - 22	10.0 - 10.5m	3.2m
MA 604 - 23	10.6 - 11.0m	3.2m

BOAT COVERS



Reinforced polyester webbing loops sewn into hem for easy fitting of tie-down straps.



Recommended for light to moderate trailering.
(Select from semi-custom range for long distance travel).

UNIVERSAL TRAILERABLE COVER

YEAR ROUND STORAGE OR AN ECONOMICAL TRAILERABLE COVER



DOPE DYED POLYESTER CANVAS
220g/m² - 6.5oz/yd²



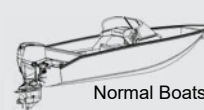
Supplied with tie-down straps, trailerable straps and a handy storage bag.

- A durable cover available in 4 sizes.
- Water resistant and breathable.
- Elasticised hem.

SKU	FITS BOATS	MAX. BEAM WIDTH	FABRIC WIDTH	FABRIC LENGTH
MA 073-1	3.3 - 4.0m	1.8m	2200mm	4475mm
MA 073-2	4.0 - 4.5m	2.05m	2800mm	5220mm
MA 073-3	4.5 - 5.4m	2.4m	3400mm	5950mm
MA 073-4	5.4 - 6.4m	2.6m	3400mm	7185mm

UNIVERSAL STORAGE COVER

FULLY WATERPROOF



Normal Boats



Boats with Cabin or High Screen (Select one size bigger cover)

- Extra strong 160g/m² PE tarpaulin fabric.
- Supplied with a tie down kit.
- Protects boat from rain, dirt & UV rays.
- Suitable for seasonal storage.
- Light trailering and mooring.
- No metal parts or abrasive seams.

Opening for Anchor



Twin Rope Cleat for easy tightening

SKU	FITS BOATS	MAX. BEAM WIDTH	FABRIC WIDTH	FABRIC LENGTH
MA 071-1	3.3 - 4.0m	1.8m	2200mm	4475mm
MA 071-2	4.0 - 4.5m	2.05m	2800mm	5220mm
MA 071-3	4.5 - 5.4m	2.4m	3400mm	5950mm
MA 071-4	5.4 - 6.4m	2.6m	3400mm	7185mm

BOAT COVER COMPONENTS

SUPPORT POLE KIT

The Oceansouth cover support system extends the life of your cover by eliminating water pooling and debris collecting on the cover. It features the top and base solid wheel design which reduces skidding or movement of pole.

- Suits boats up to 24ft - 7.1m.
- Marine grade polymers components.
- Ø25mm - Ø22mm hard anodised aluminium pole.
- 25mm webbing straps attach to top wheel extend across front and to the rear of boat.

COMPLETE KIT INCLUDES:

- Telescopic pole : 710mm - 1220mm with thumb screw adjuster.
- 2 wheels base and top.
- 20m adjustable webbing, quick release buckles.



SKU	DESCRIPTION
21062	Telescopic boat cover support pole with adjustable webbing straps

BOAT COVER VENT



- Easily installed on cover.
- Under plate locks into top dome, fastened with 4 screws (supplied).
- Provides excellent ventilation around boat, preventing moisture build up, mould or mildew damage.
- Essential for long term storage.

SKU	SIZE
21065	L: 107mm W: 112mm D: 35mm



21064

TWIN ROPE CLEAT (Ratchet)

- Suits 8mm rope.
- Roller guides & twin cleats allow for easy tightening of boat cover rope.



21015

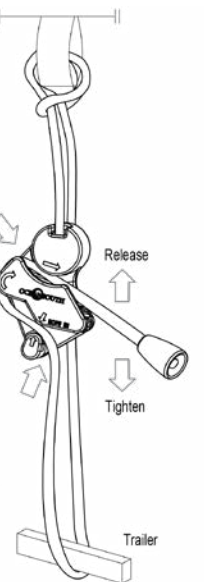
TIE DOWN STRAP SET WITH BUCKLES

- Set of 4 adjustable tie downs.
- Polyester woven webbing 25mm x 2.3 m.
- UV nylon quick release buckles.

TIE DOWN PACKAGE OF 4 (P4)



TIE DOWN PACKAGE OF 8 (P8)



SKU	DESCRIPTION
P4	Tie Down Package of 4 (P4)
P8	Tie Down Package of 8 (P8)

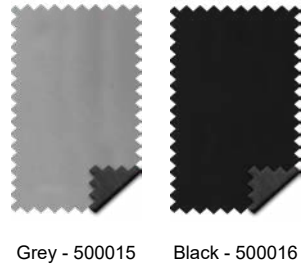
ATLAS FABRICS



DOPE DYED
PREMIUM POLYESTER
MARINE FABRIC
JACQUARD WEAVE
400 g/m² - 11.8 oz/lyd2

FABRIC FEATURES

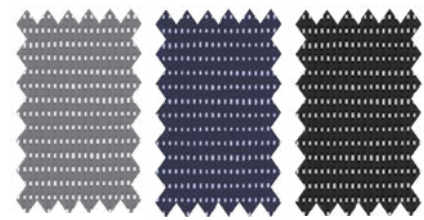
100% HIGH TECH POLYESTER	FABRIC WIDTH ≈ 1.83 cm	≈ 310 g/m ² (9.14 oz/lyd ²)	WATER COLUMN ≥ 150 mbar	LIGHT FASTNESS Note 6-7	WEATHER FASTNESS Note 6-7
TENSILE STRENGTH ≈ 2200 N ¹ 1300 N ²	ELONGATION ≈ 40 % ¹ 30 % ²	WATER REPELLENCY Note 100	OIL/CHLORINE REPELLENCY Note 4	COATING Polyurethan [PU]	UV INDEX UPF 50+



DOPE DYED POLYESTER
MARINE FABRIC
WITH SOFT NON-WOVEN
POLYESTER BACKING
OXFORD WEAVE
340 g/m² - 10.3 oz/lyd2

FABRIC FEATURES

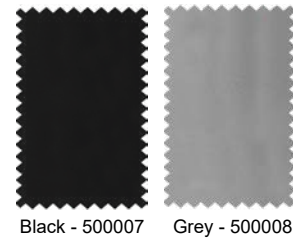
100% HIGH TECH POLYESTER	FABRIC WIDTH ≈ 1.60 cm	≈ 340 g/m ² (10.3 oz/lyd ²)	WATER COLUMN ≥ 150 mbar	LIGHT FASTNESS Note 6-7	WEATHER FASTNESS Note 6-7
TENSILE STRENGTH ≈ 2000 N ¹ 1150 N ²	ELONGATION ≈ 40 % ¹ 30 % ²	WATER REPELLENCY Note 100	OIL/CHLORINE REPELLENCY Note 4	COATING Polyurethan [PU]	UV INDEX UPF 50+



ATLAS AIRFLOW
POLYESTER/PVC CANVAS
320 g/m² - 9.44 oz/lyd2

FABRIC FEATURES

100% HIGH TECH POLYESTER & PVC	OPENNESS FACTOR 5%	≈ 320 g/m ² (9.44 oz/lyd ²)



DOPE DYED
POLYESTER MARINE FABRIC
OXFORD WEAVE
280 g/m² - 8.2 oz/lyd2



DOPE DYED
POLYESTER MARINE FABRIC
OXFORD WEAVE
220 g/m² - 6.5 oz/lyd2

FABRIC FEATURES

100% HIGH TECH POLYESTER	FABRIC WIDTH ≈ 170 cm	≈ 220 g/m ² (6.5 oz/lyd ²)	WATER COLUMN ≥ 150 mbar	LIGHT FASTNESS Note 6-7	WEATHER FASTNESS Note 6-7
TENSILE STRENGTH ≈ 2000 N ¹ 1150 N ²	ELONGATION ≈ 40 % ¹ 30 % ²	WATER REPELLENCY Note 100	OIL/CHLORINE REPELLENCY Note 4	COATING Polyurethane [PU]	UV INDEX UPF 50+



OUTBOARD MOTOR COVERS

OUTBOARD COVERS FOR **MERCURY** MOTORS



HALF COVER

Custom fit, designed to fit your engine



FULL COVER

Custom fit, designed to fit your engine



VENTED COVER

Designed to stay on when motoring



SILVER SOFT RANGE
DOPE DYED POLYESTER CANVAS
340 g/m² - 10.3oz/yd²



Twin Rope Cleat for easy tightening



Elasticized hem on all covers



Mesh Vent in vented motor cover



#10 zipper in full motor cover

SKU	MERCURY ENGINE - HALF COVER
M0000-S	VERADO V12 7.6L 500HP, 600HP (2021 onwards) NEW
M001-S	V10 5.7L 400HP (2023 onwards) NEW
M000-S	4 STROKE V8 4.6L 250 to 450HP & 200 to 300PRO XS VERADO S (2018 onwards)
M00-S	VERADO 6CYL 2.6L 250 to 400HP (2005 onwards)
M02-S	4 STROKE V6 3.4L 175HP, 200HP, 225HP, 175PRO XS & SEAPRO (2018 onwards)
M05-S	VERADO 4CYL 1.7L 135HP, 150HP, 175HP, 200HP (2005 onwards)
M10-S	4 STROKE 4CYL 3.0L 135HP, 150HP, 150XS (2011 onwards)
M15-S	4 STROKE 4CYL 2.1L 75 to 115HP, 115 PRO XS (2014 onwards)
M20-S	4 STROKE 4CYL 995CC 40HP, 50HP, 60HP (2008 onwards)
M25-S	4 STROKE 3CYL 747CC 40HP (2008 onwards)
M30-S	4 STROKE 3CYL 526CC 25HP, 30HP (2007-2021)
M30A-S	4 STROKE 3CYL 500CC 25HP, 30HP (2022 onwards) NEW
M35-S	4 STROKE 2CYL 333CC 15HP, 20HP (2018 onwards) 8HP, 9.9HP (2024 onwards)
M40-S	4 STROKE 2CYL 209CC 8HP, 9.9HP (2006-2023)
M45-S	4 STROKE 1CYL 123CC 4HP, 5HP, 6HP (2012 onwards)
M50-S	4 STROKE 1CYL 85CC 2.5HP, 3.5HP (2007 onwards)

SKU	LEG	FULL COVER
M0000-20	20"	VERADO V12 7.6L NEW 500HP, 600HP (2021 onwards)
M0000-25	25"	
M0000-30	30"	
M0000-35	35"	V10 5.7L NEW 400HP (2023 onwards)
M001-20	20"	
M001-25	25"	
M001-30	30"	4 STROKE V8 4.6L 250 to 450HP & 200 to 300PRO XS, VERADO S (2018 onwards)
M000-20	20"	
M000-25	25"	
M000-30	30"	VERADO 6CYL 2.6L 250 to 400HP (2005 onwards)
M00-20	20"	
M00-25	25"	
M00-30	30"	4 STR V6 3.4L 175HP, 200HP, 225HP & 175PRO XS & SEAPRO (2018 onwards)
M02-20	20"	
M02-25	25"	
M02-30	30"	VERADO 4CYL 1.7L 135 to 200HP (2005 onwards)
M05-20	20"	
M05-25	25"	
M10-20	20"	4 STR 4CYL 3.0L 135HP, 150HP, 150XS (2011 onwards)
M10-25	25"	

SKU	LEG	FULL COVER
M15-20	20"	4 STR 4CYL 2.1L 75HP to 115HP, 115PRO XS (2014 onwards)
M15-25	25"	
M20-15	15"	4 STR 4CYL 995CC 40HP, 50HP, 60HP (2008 onwards)
M20-20	20"	
M20-25	25"	4 STR 3CYL 747CC 40HP (2008 onwards)
M25-15	15"	
M25-20	20"	4 STR 3CYL 526CC 25HP, 30HP (2007-2021)
M30-15	15"	
M30-20	20"	4 STR 3CYL 500CC 25HP, 30HP NEW (2022 onwards)
M30A-15	15"	
M30A-20	20"	4 STR 2CYL 333CC 15HP, 20HP (2018 onwards) 8HP, 9.9HP (2024 onwards)
M35-15	15"	
M35-20	20"	4 STR 2CYL 209CC 8HP, 9.9HP (2006-2023)
M35-25	25"	
M40-15	15"	4 STR 1CYL 123CC 4 to 6HP (2012 onwards)
M40-20	20"	
M45-15	15"	4 STR 1CYL 85CC 2.5HP, 3.5HP (2007 onwards)
M45-20	20"	

SKU	MERCURY ENGINE - VENTED COVER	COLOUR
M0000-V	VERADO V12 7.6L 500HP, 600HP (2021 onwards) NEW	Black, White
M001-V	V10 5.7L 400HP (2023 onwards) NEW	Black, White
M000-V	4 STR V8 4.6L 250 to 450HP & 200 to 300PRO XS, VERADO S (2018 onwards)	Black, White
M00-V	VERADO 6CYL 2.6L 250HP to 400HP (2005 onwards)	Black, White
M02-V	4 STR V6 3.4L 175 to 225HP, 175PRO XS & SEAPRO (2018 onwards)	Black, White
M05-V	VERADO 4CYL 1.7L 135HP, 150HP, 175HP, 200HP (2005 onwards)	Black
M10-V	4 STR 4CYL 3.0L 135HP, 150HP, 150XS (2011 onwards)	Black
M15-V	4 STR 4CYL 2.1L 75HP to 115HP, 115HP PRO XS (2014 onwards)	Black
M20-V	4 STR 4CYL 995CC 40HP, 50HP, 60HP (2008 onwards)	Black
M25-V	4 STR 3CYL 747CC 40HP (2008 onwards)	Black
M30-V	4 STR 3CYL 526CC 25HP, 30HP (2007-2021)	Black
M30A-V	4 STR 3CYL 500CC 25HP, 30HP (2022 onwards) NEW	Black
M35-V	4 STR 2CYL 333CC 15HP, 20HP (2018 onwards) 8HP, 9.9HP (2024 onwards)	Black
M40-V	4 STR 2CYL 209CC 8HP, 9.9HP W/LIFT HARNESS (2006-2023)	Black
M45-V	4 STR 1CYL 123CC 4HP, 5HP, 6HP W/LIFT HARNESS (2012 onwards)	Black
M50-V	4 STR 1CYL 85CC 2.5HP, 3.5HP W/LIFT HARNESS (2007 onwards)	Black

Use **W** with the product SKU when ordering **White** Cover e.g. **M0000-VW**

OUTBOARD COVERS FOR **YAMAHA** MOTORS



ATLAS
CANVAS FABRIC

SILVER SOFT RANGE
DOPE DYED POLYESTER CANVAS
340 g/m² - 10.3oz/yd²



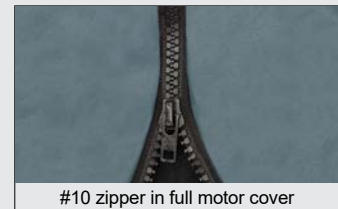
Twin Rope Cleat for easy tightening



Elasticized hem on all covers



Mesh Vent in vented motor cover



#10 zipper in full motor cover

HALF COVER

Custom fit, designed to fit your engine



SKU	YAMAHA ENGINE - HALF COVER
Y000-S	XTO V8 5.6L F425A (2018 onwards)
Y00-S	V8 5.3L F350A (2007 onwards)
Y05A-S	V6 4.3L F250, F300 (2021 onwards) & F350 (2024 onwards) NEW
Y05-S	V6 4.2L F225F, F250D, F300B (2010 - 2020)
Y06-S	V6 VMAX SHO 200HP TO 250HP (2022 - 2024) NEW
Y10-S	4CYL 2.8L F150D, F175A, F200F (2015-2022)
Y10A-S	4CYL 2.8L F150D, F175A, F200F (2023 onwards) NEW
Y20-S	4CYL 1.8L F115B, F130A (2015 onwards)
Y24-S	4CYL 1.8L F75D, F90C, F100F, VMAX 90 (2017 onwards)
Y25-S	4CYL 996CC F50H, F60F, F70A (2010 to mid 2025)
Y25A-S	F50, F60, F70 (mid 2025 onwards) NEW
Y30-S	3CYL 747CC F30B, F40F (2009 onwards)
Y35A-S	2CYL 432CC F25G, F25C (2017 onwards) & F15C, F20B (2023 onwards)
Y35-S	2CYL 498CC F25D (2010-2016)
Y40-S	2CYL 362CC F15C, F20B (2007-2022)
Y45-S	2CYL 212CC F8F, F9.9J (2013 onwards)
Y50-S	1CYL 139CC F4B, F5A, F6C (2010 onwards)
Y55-S	1CYL 72CC F2.5B (2015 onwards)

FULL COVER

Custom fit, designed to fit your engine



SKU	LEG	FULL COVER
Y000-25	25"	XTO V8 5.6L
Y000-30	30"	F425A (2018 onwards)
Y000-35	35"	
Y00-25	25"	V8 5.3L
Y00-30	30"	F350A (2007 onwards)
Y05A-25	25"	V6 4.3L NEW
Y05A-30	30"	F250, F300 (2023 onwards)
Y05A-35	35"	& F350 (2024 onwards)
Y05-25	25"	V6 4.2L
Y05-30	30"	F225F, F250D, F300B (2010 - 2020)
Y06-20	20"	V6 VMAX SHO NEW
Y06-25	25"	200HP TO 250HP (2022 - 2024)
Y10A-20	20"	4CYL 2.8L NEW
Y10A-25	25"	F150D, F175A, F200F (2023 onwards)
Y10-20	20"	4CYL 2.8L
Y10-25	25"	F150D, F175A, F200F (2015-2022)
Y20-20	20"	4CYL 1.8L
Y20-25	25"	F115B, F130A (2015 onwards)
Y24-20	20"	4CYL 1.8L
Y24-25	25"	F75D, F90C, F100F, VMAX 90 (2017 onwards)
Y25-20	20"	4CYL 996CC
		F50H, F60F, F70A (2010 to mid 2025) NEW
Y25A-20	20"	F50, F60, F70 (mid 2025 onwards)
Y30-20	20"	3CYL 747CC
		F30B, F40F (2009 onwards)
Y35A-15	15"	2CYL 432CC
		F25G, F25C (2017 onwards)
Y35A-20	20"	& F15C, F20B (2023 onwards)
Y35-15	15"	2 CYL 498CC
Y35-20	20"	F25D (2010-2016)
Y40-15	15"	2CYL 362CC
Y40-20	20"	F15C, F20B (2007-2022)
Y45-15	15"	2CYL 212CC
Y45-20	20"	F8F, F9.9J (2013 onwards)
Y50-15	15"	1CYL 139CC
Y50-20	20"	F4B, F5A, F6C (2010 onwards)
Y55-15	15"	1CYL 72CC
		F2.5B (2015 onwards)

VENTED COVER

Designed to stay on when motoring



SKU	YAMAHA ENGINE - VENTED COVER	COLOUR
Y000-V	XTO V8 5.6L F425A (2018 onwards)	Grey, White
Y00-V	V8 5.3L F350A (2007 onwards)	Grey, White
Y05A-V	V6 4.3L F250, F300 (2021 onwards) & F350 (2024 onwards) NEW	Grey, White
Y05-V	V6 4.2L F225F, F250D, F300B (2010 - 2020)	Grey
Y06-V	V6 VMAX SHO 200HP TO 250HP (2022 - 2024) NEW	Black
Y10-V	4CYL 2.8L F150D, F175A, F200F (2015-2022)	Grey, White
Y10A-V	4CYL 2.8L F150D, F175A, F200F (2023 onwards) NEW	Grey, White
Y20-V	4CYL 1.8L F115B, F130A (2015 onwards)	Grey, White
Y24-V	4CYL 1.8L F75D, F90C, F100F, VMAX 90 (2017 onwards)	Grey, White
Y25-V	4CYL 996CC F50H, F60F, F70A (2010 to mid 2025)	Grey, White
Y25A-V	F50, F60, F70 (mid 2025 onwards) NEW	Grey, White
Y30-V	3CYL 747CC F30B, F40F (2009 onwards)	Grey
Y35A-V	2CYL 432CC F25G, F25C (2017 onwards) & F15C, F20B (2023 onwards)	Grey
Y35-V	2 CYL 498CC F25D (2010-2016)	Grey
Y40-V	2CYL 362CC F15C, F20B (2007-2022)	Grey
Y45-V	2CYL 212CC F8F, F9.9J W/LIFT HARNESS (2013 onwards)	Grey
Y50-V	1CYL 139CC F4B, F5A, F6C W/LIFT HARNESS (2010 onwards)	Grey
Y55-V	1CYL 72CC F2.5B W/LIFT HARNESS (2015 onwards)	Grey

Use **W** with the product SKU when ordering **White** Cover e.g. **Y000-VW**

OUTBOARD COVERS FOR SUZUKI MOTORS



HALF COVER

Custom fit, designed to fit your engine



FULL COVER

Custom fit, designed to fit your engine



VENTED COVER

Designed to stay on when motoring



SILVER SOFT RANGE
DOPE DYED POLYESTER CANVAS
340 g/m² - 10.3oz/yd²



Twin Rope Cleat for easy tightening



Elasticized hem on all covers



Mesh Vent in vented motor cover



#10 zipper in full motor cover

SKU	SUZUKI ENGINE - HALF COVER
S000-S	V6 4.4L DF350A, DF325A, DF300B (2017 onwards)
S00-S	V6 4.0L DF250AP, DF300AP (2012 onwards)
S05-S	V6 3.6L DF200, DF225, DF250 (2003 onwards)
S06-S	4CYL 2.8L DF150AP, DF175AP, DF200AP (2014 onwards)
S10-S	4CYL 2.8L DF150, DF175 (2005 onwards)
S15-S	4CYL 2.0L DF115A, DF140A (2012-2020) DF100A (2012-2022)
S15A-S	4 CYL 2.0L DF115BG DF140BG (2021 onwards) NEW
S20-S	4CYL 1.5L DF70A, DF80A, DF90A (2008 onwards)
S25-S	3CYL DF40A, DF50A, DF60A (2010 onwards)
S30-S	3CYL DF25A, DF30A (2014 onwards)
S35-S	2CYL 327CC DF15A, DF20A (2012 onwards)
S40-S	1CYL 208CC DF8A, DF9.9A (2010 onwards)
S45-S	1CYL 138CC DF4A, DF5A, DF6A (2002 onwards)
S50-S	1CYL 68CC DF2.5 (2006 onwards)

SKU	LEG	FULL COVER
S000-25	25"	V6 4.4L DF350A, DF325A, DF300B (2017 onwards)
S000-30	30"	V6 4.0L DF250AP, DF300AP (2012 onwards)
S00-25	25"	V6 4.0L DF250AP, DF300AP (2012 onwards)
S00-30	30"	V6 3.6L DF200, DF225, DF250 (2003 onwards)
S05-25	25"	V6 3.6L DF200, DF225, DF250 (2003 onwards)
S05-30	30"	V6 3.6L DF200, DF225, DF250 (2003 onwards)
S06-25	25"	4CYL 2.8L DF150AP, DF175AP, DF200AP (2014 onwards)
S06-30	30"	4CYL 2.8L DF150AP, DF175AP, DF200AP (2014 onwards)
S10-20	20"	4CYL 2.8L DF150, DF175 (2005 onwards)
S10-25	25"	4CYL 2.8L DF150, DF175 (2005 onwards)
S15-20	20"	4CYL 2.0L DF115A, DF140A (2012-2020)
S15-25	25"	4CYL 2.0L DF115A, DF140A (2012-2020)
S15A-20	20"	4 CYL 2.0L DF115BG DF140BG (2021 onwards) NEW
S15A-25	25"	4 CYL 2.0L DF115BG DF140BG (2021 onwards)

SKU	LEG	FULL COVER
S20-20	20"	4CYL 1.5L DF70A, DF80A, DF90A (2008 onwards)
S20-25	25"	4CYL 1.5L DF70A, DF80A, DF90A (2008 onwards)
S25-20	20"	3CYL DF40A, DF50A, DF60A (2010 onwards)
S25-25	25"	3CYL DF40A, DF50A, DF60A (2010 onwards)
S30-15	15"	3CYL DF25A, DF30A (2014 onwards)
S30-20	20"	3CYL DF25A, DF30A (2014 onwards)
S35-15	15"	2CYL 327CC DF15A, DF20A (2012 onwards)
S35-20	20"	2CYL 327CC DF15A, DF20A (2012 onwards)
S40-15	15"	1CYL 208CC DF8A, DF9.9A (2010 onwards)
S40-20	20"	1CYL 208CC DF8A, DF9.9A (2010 onwards)
S45-15	15"	1CYL 138CC DF4A, DF5A, DF6A (2002 onwards)
S45-20	20"	1CYL 138CC DF4A, DF5A, DF6A (2002 onwards)
S50-15	15"	1CYL 68CC DF2.5 (2006 onwards)

SKU	SUZUKI ENGINE - VENTED COVER	COLOUR
S000-V	V6 4.4L DF350A, DF325A, DF300B (2017 onwards)	Black, White
S00-V	V6 4.0L DF250AP, DF300AP (2012 onwards)	Black, White
S05-V	V6 3.6L DF200, DF225, DF250 (2003 onwards)	Black, White
S06-V	4CYL 2.8L DF150AP, DF175AP, DF200AP (2014 onwards)	Black, White
S10-V	4CYL 2.8L DF150, DF175 (2005 onwards)	Black
S15-V	4 CYL 2.0L DF115A, DF140A (2012-2020) DF100A (2012-2022)	Black, White
S15A-V	4 CYL 2.0L DF115BG DF140BG (2021 onwards) NEW	Black, White
S20-V	4CYL 1.5L DF70A, DF80A, DF90A (2008 onwards)	Black, White
S25-V	3CYL DF40A, DF50A, DF60A (2010 onwards)	Black, White
S30-V	3CYL DF25A, DF30A (2014 onwards)	Black, White
S35-V	2CYL 327CC DF15A, DF20A (2012 onwards)	Black, White
S40-V	1CYL 208CC DF8A, DF9.9A W/LIFT HARNESS (2010 onwards)	Black
S45-V	1CYL 138CC DF4A, DF5A, DF6A W/LIFT HARNESS (2002 onwards)	Black, White
S50-V	1CYL 68CC DF2.5 W/LIFT HARNESS (2006 onwards)	Black

Use **W** with the product SKU when ordering **White** Cover e.g. **S000-W**

OUTBOARD COVERS FOR **HONDA** MOTORS



ATLAS
CANVAS FABRIC

SILVER SOFT RANGE
DOPE DYED POLYESTER CANVAS
340 g/m² - 10.3oz/yd²



SKU	HONDA ENGINE - HALF COVER
H000-S	V8 4.9L BF300, BF350 (2024 onwards) NEW
H00-S	V6 3.6L BF250 (2011-2018)
H00A-S	V6 3.6L BF175, BF200, BF225, BF250 (2019 onwards) NEW
H05-S	V6 3.5L BF175, BF200, BF225 (2010 onwards)
H10-S	4CYL 2.3L BF115, BF135, BF150 (2010-2021)
H10A-S	4CYL 2.3L BF115, BF135, BF140, BF150 (2022 onwards) NEW
H15-S	4CYL 1.5L BF75, BF80, BF90, BF100 (2014 onwards)
H20-S	3CYL 1L BF60 (2009) BFP60 (2009 onwards)
H25-S	3CYL 808CC BF40, BF50 (2017 onwards)
H30-S	3CYL 552CC BF25, BF30 (2002 onwards)
H35-S	2CYL 350CC BF15, BF20 (2002 onwards)
H40-S	2CYL 222CC BF8, BF9.9, BF10 (2000 onwards)
H45-S	1CYL 127CC BF4, BF5, BF6 (2016 onwards)
H50-S	1CYL 57CC BF2.3 (2014 onwards)



SKU	LEG	FULL COVER
H000-20	20"	V8 4.9L BF300, BF350 (2024 onwards) NEW
H000-25	25"	V8 4.9L BF300, BF350 (2024 onwards)
H00-20	20"	V6 3.6L BF250 (2011-2018)
H00-25	25"	V6 3.6L BF250 (2011-2018)
H00-30	30"	V6 3.6L BF250 (2011-2018)
H00A-20	20"	V6 3.6L BF175, BF200, BF225, BF250 (2019 onwards) NEW
H00A-25	25"	V6 3.6L BF175, BF200, BF225, BF250 (2019 onwards)
H00A-30	30"	V6 3.6L BF175, BF200, BF225, BF250 (2019 onwards)
H05-20	20"	V6 3.5L BF175, BF200, BF225 (2010 onwards)
H05-25	25"	V6 3.5L BF175, BF200, BF225 (2010 onwards)
H05-30	30"	V6 3.5L BF175, BF200, BF225 (2010 onwards)
H10-20	20"	4CYL 2.3L BF115, BF135, BF150 (2010-2021)
H10-25	25"	4CYL 2.3L BF115, BF135, BF150 (2010-2021)
H10A-20	20"	4CYL 2.3L BF115, BF135, BF140, BF150 (2022 onwards) NEW
H10A-25	25"	4CYL 2.3L BF115, BF135, BF140, BF150 (2022 onwards)

SKU	LEG	FULL COVER
H15-20	20"	4CYL 1.5L BF75, BF80, BF90, BF100 (2014 onwards)
H15-25	25"	4CYL 1.5L BF75, BF80, BF90, BF100 (2014 onwards)
H20-20	20"	3CYL 1L BF60 (2009) BFP60 (2009 onwards)
H20-25	25"	3CYL 1L BF60 (2009) BFP60 (2009 onwards)
H25-20	20"	3CYL 808CC BF40, BF50 (2017 onwards)
H25-25	25"	3CYL 808CC BF40, BF50 (2017 onwards)
H30-15	15"	3CYL 552CC BF25, BF30 (2002 onwards)
H30-20	20"	3CYL 552CC BF25, BF30 (2002 onwards)
H35-15	15"	2CYL 350CC BF15, BF20 (2002 onwards)
H35-20	20"	2CYL 350CC BF15, BF20 (2002 onwards)
H35-25	25"	2CYL 350CC BF15, BF20 (2002 onwards)
H40-15	15"	2CYL 222CC BF8, BF9.9, BF10 (2000 onwards)
H40-20	20"	2CYL 222CC BF8, BF9.9, BF10 (2000 onwards)
H45-15	15"	1CYL 127CC BF4, BF5, BF6 (2016 onwards)
H45-20	20"	1CYL 127CC BF4, BF5, BF6 (2016 onwards)
H50-15	15"	1CYL 57CC BF2.3 (2014 onwards)
H50-20	20"	1CYL 57CC BF2.3 (2014 onwards)



SKU	HONDA ENGINE - VENTED COVER	COLOUR
H000-V	V8 4.9L BF300, BF350 (2024 onwards) NEW	Grey, White
H00-V	V6 3.6L BF250 (2011-2018)	Grey
H00A-V	V6 3.6L BF175, BF200, BF225, BF250 (2019 onwards) NEW	Grey, White
H05-V	V6 3.5L BF175, BF200, BF225 (2010 onwards)	Grey
H10-V	4CYL 2.3L BF115, BF135, BF150 (2010-2021)	Grey
H10A-V	4CYL 2.3L BF115, BF135, BF140, BF150 (2022 onwards) NEW	Grey, White
H15-V	4CYL 1.5L BF75, BF80, BF90, BF100 (2014 onwards)	Grey
H20-V	3CYL 1L BF60 (2009) BFP60 (2009 onwards)	Grey
H25-V	3CYL 808CC BF40, BF50 (2017 onwards)	Grey
H30-V	3CYL 552CC BF25, BF30 (2002 onwards)	Grey
H35-V	2CYL 350CC BF15, BF20 (2002 onwards)	Grey
H40-V	2CYL 222CC BF8, BF9.9, BF10 (2000 onwards)	Grey
H45-V	1CYL 127CC BF4, BF5, BF6 (2016 onwards)	Grey
H50-V	1CYL 57CC BF2.3 (2014 onwards)	Grey

Use **W** with the product SKU when ordering **White** Cover e.g. **H00A-VW**

NEW OUTBOARD COVERS FOR TOHATSU MOTORS



ATLAS
CANVAS FABRIC

SILVER SOFT RANGE
DOPE DYED POLYESTER CANVAS
340 g/m² - 10.3oz/yd²



HALF COVER

Custom fit, designed to fit your engine

SKU	TOHATSU ENGINE - HALF COVER
T15-S	MFS75A, MFS90A MFS100A, MFS115A, MFS140A (2020 onwards)
T20-S	MFS40A, MFS50A, MFS60A (2020 onwards)
T25-S	MFS25D, MFS30D (2022 onwards)
T30-S	MFS15E, MFS20E (2018 onwards)
T35-S	MFS8B, MFS9.8B (2016 onwards)
T35A-S	MFS9.8CEFS, MF9.9CY (2024 onwards) NEW
T40-S	MFS4D, MFS5D, MFS6D (2020 onwards)
T45-S	MFS2.5C, MFS3.5C (2006 onwards)



FULL COVER

Custom fit, designed to fit your engine

SKU	LEG	TOHATSU ENGINE - FULL COVER
T15-20	20"	MFS75A, MFS90A MFS100A, MFS115A, MFS140A (2020 onwards)
T15-25	25"	
T20-15	15"	MFS40A, MFS50A, MFS60A (2020 onwards)
T20-20	20"	
T25-15	15"	MFS25D, MFS30D (2022 onwards)
T25-20	20"	
T30-15	15"	MFS15E, MFS20E (2018 onwards)
T30-20	20"	
T35-15	15"	
T35-20	20"	MFS8B, MFS9.8B (2016 onwards)
T35-25	25"	
T35A-15	15"	MFS9.8CEFS, MF9.9CY (2024 onwards) NEW
T35A-20	20"	
T40-15	15"	
T40-20	20"	MFS4D, MFS5D, MFS6D (2020 onwards)
T40-25	25"	
T45-15	15"	MFS2.5C, MFS3.5C (2006 onwards)
T45-20	20"	



VENTED COVER

Designed to stay on when motoring

SKU	TOHATSU ENGINE - VENTED COVER	COLOUR
T15-V	MFS75A, MFS90A MFS100A, MFS115A, MFS140A (2020 onwards)	Grey, White
T20-V	MFS40A, MFS50A, MFS60A (2020 onwards)	Grey, White
T25-V	MFS25D, MFS30D (2022 onwards)	Grey, White
T30-V	MFS15E, MFS20E (2018 onwards)	Grey
T35-V	MFS8B, MFS9.8B (2016 onwards)	Grey
T35A-V	MFS9.8CEFS, MF9.9CY (2024 onwards)	Grey, White NEW
T40-V	MFS4D, MFS5D, MFS6D (2020 onwards)	Grey
T45-V	MFS2.5C, MFS3.5C (2006 onwards)	Grey

Use **W** with the product SKU when ordering **White** Cover e.g. **T15-VW**

OUTBOARD COVERS FOR **EVINRUDE** MOTORS



ATLAS
CANVAS FABRIC

SILVER SOFT RANGE
DOPE DYED POLYESTER CANVAS
340 g/m² - 10.3oz/yd²



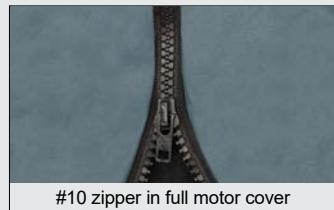
Twin Rope Cleat for easy tightening



Elasticized hem on all covers



Mesh Vent in vented motor cover



#10 zipper in full motor cover

HALF COVER

Custom fit, designed to fit your engine



FULL COVER

Custom fit, designed to fit your engine



VENTED COVER

Designed to stay on when motoring



SKU	EVINRUDE ENGINE - HALF COVER
E00-S	G2 V6 3.4L 225HP, 250HP, 300HP, 200H.O, 225H.O, 250H.O (2014 onwards)
E02-S	G2 V6 2.7L 150HP, 175HP, 200HP, 150H.O (2016 onwards)
E05-S	E-TEC V6 3.3L 225HP to 300HP, 200H.O to 250H.O (2005-2016)
E10-S	V6 2.6L 150HP, 175HP, 200HP, 135H.O, 150H.O (2004 onwards)
E15-S	E-TEC V4 1.7L 115HP, 130HP, 90H.O (2005 onwards)
E20-S	E-TEC 3CYL 75HP, 90HP, 60H.O (2003 onwards)
E25-S	E-TEC 2CYL 40HP, 50HP, 60HP (2003 onwards)
E30-S	E-TEC 2CYL 25HP, 30HP, 15H.O (2009 onwards)

SKU	LEG	FULL COVER
E00-20	20"	G2 V6 3.4L 225HP, 250HP, 300HP, 200H.O, 225H.O, 250H.O (2014 onwards)
E00-25	25"	G2 V6 3.4L 225HP, 250HP, 300HP, 200H.O, 225H.O, 250H.O (2014 onwards)
E00-30	30"	G2 V6 3.4L 225HP, 250HP, 300HP, 200H.O, 225H.O, 250H.O (2014 onwards)
E02-20	20"	G2 V6 2.7L 150HP, 175HP, 200HP, 150H.O (2016 onwards)
E02-25	25"	G2 V6 2.7L 150HP, 175HP, 200HP, 150H.O (2016 onwards)
E05-20	20"	E-TEC V6 3.3L 225HP, 250HP, 300HP, 200H.O, 225H.O, 250H.O (2005-2016)
E05-25	25"	E-TEC V6 3.3L 225HP, 250HP, 300HP, 200H.O, 225H.O, 250H.O (2005-2016)
E05-30	30"	E-TEC V6 3.3L 225HP, 250HP, 300HP, 200H.O, 225H.O, 250H.O (2005-2016)

SKU	LEG	FULL COVER
E10-20	20"	V6 2.6L 150HP, 175HP, 200HP, 135H.O, 150H.O (2004 onwards)
E10-25	25"	V6 2.6L 150HP, 175HP, 200HP, 135H.O, 150H.O (2004 onwards)
E15-20	20"	E-TEC V4 1.7L 115HP, 130HP, 90H.O (2005 onwards)
E15-25	25"	E-TEC V4 1.7L 115HP, 130HP, 90H.O (2005 onwards)
E20-20	20"	E-TEC 3 CYL 75HP, 90HP, 60H.O (2003 onwards)
E20-25	25"	E-TEC 3 CYL 75HP, 90HP, 60H.O (2003 onwards)
E25-20	20"	E-TEC 2CYL 40HP to 60HP (2003 onwards)
E30-15	15"	E-TEC 2 CYL 25HP, 30HP, 15H.O (2009 onwards)
E30-20	20"	E-TEC 2 CYL 25HP, 30HP, 15H.O (2009 onwards)

SKU	EVINRUDE ENGINE - VENTED COVER
E00-V	G2 V6 3.4L 225HP, 250HP, 300HP, 200H.O, 225H.O, 250H.O (2014 onwards)
E02-V	G2 V6 2.7L 150HP, 175HP, 200HP, 150H.O (2016 onwards)
E05-V	E-TEC V6 3.3L 225HP to 300HP, 200H.O to 250H.O (2005-2016)
E10-V	V6 2.6L 150HP, 175HP, 200HP, 135H.O, 150H.O (2004 onwards)
E15-V	E-TEC V4 1.7L 115HP, 130HP, 90H.O (2005 onwards)
E20-V	E-TEC 3CYL 75HP, 90HP, 60H.O (2003 onwards)
E25-V	E-TEC 2CYL 40HP, 50HP, 60HP (2003 onwards)

UNIVERSAL MOTOR COVERS



Draw string to ensure tight fit

Reinforced top-stitched seams.



'High Vis' Section gives excellent visibility when trailering



UNIVERSAL HALF OUTBOARD MOTOR COVER

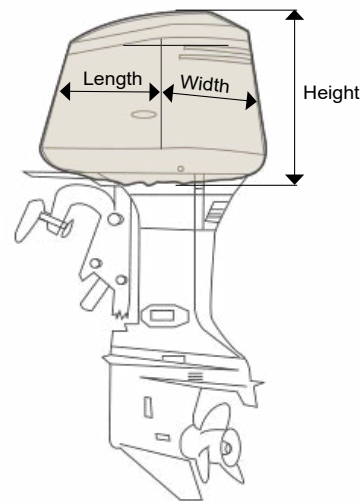
UNIVERSAL FULL OUTBOARD MOTOR COVER



DOPE DYED
POLYESTER CANVAS
340 g/m² - 10.3oz/yd²



- Soft felt lining for superior protection.
- Draw string to ensure tight fit.
- 6 sizes to suit 2 & 4 stroke engines.
- Reinforced top stitched seams.

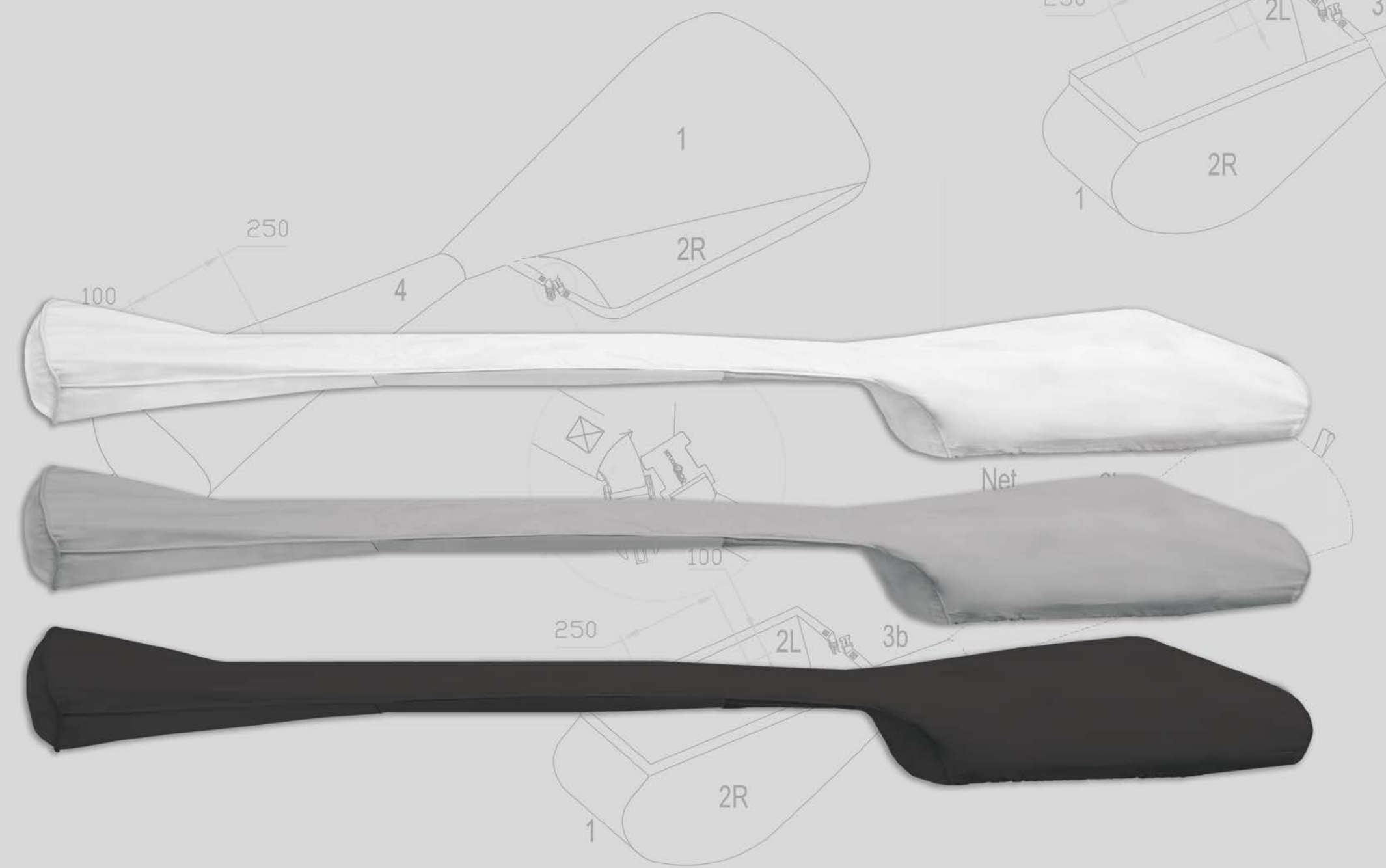
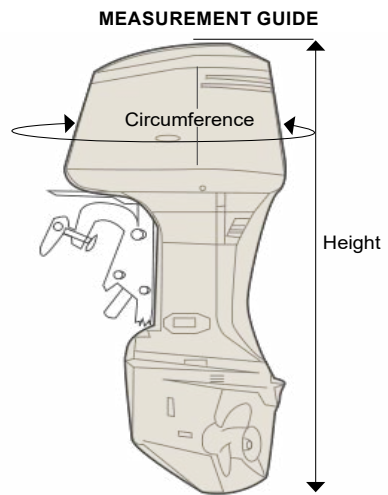


SKU	ENGINE SIZE	LENGTH	WIDTH	HEIGHT
MA 074 - 1	UP TO 15HP	520mm	270mm	320mm
MA 074 - 2	15 - 30HP	560mm	300mm	400mm
MA 074 - 3	30 - 60hp	620mm	360mm	490mm
MA 074 - 4	60 - 100hp	680mm	400mm	530mm
MA 074 - 5	100 - 150hp	740mm	460mm	580mm
MA 074 - 6	175 - 250hp	820mm	500mm	600mm

- Soft felt lining for superior protection.
- Zip up leg section with draw string to ensure tight fit.
- 9 sizes to suit 2 & 4 stroke engines.
- Reinforced top stitched seams.

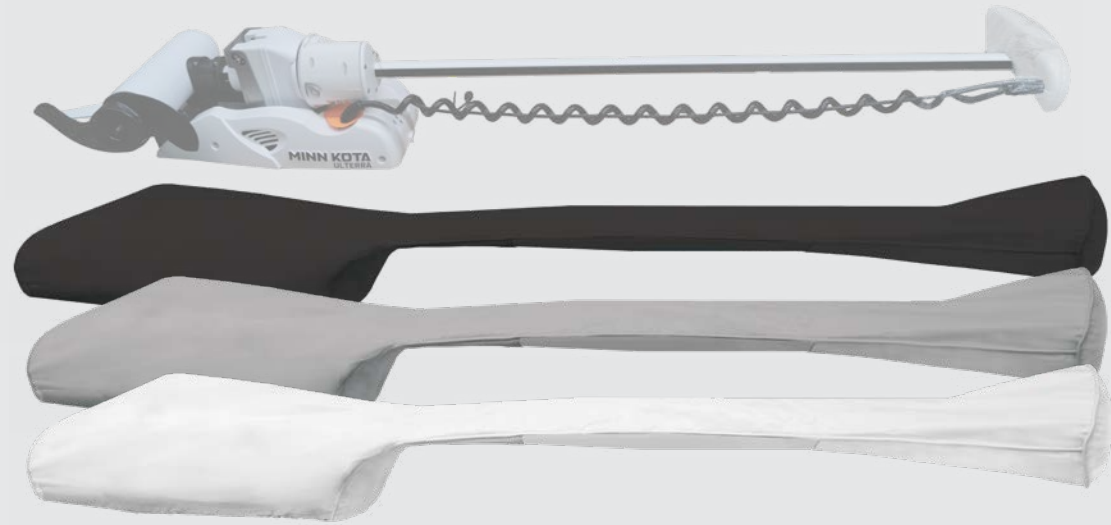
SKU	FITS ENGINE SIZES	CIRCUMFERENCE	HEIGHT
MA 075 - 1	UP TO 3.5HP	1260mm	980mm
MA 075 - 2	3.5 - 6HP	1400mm	1100mm
MA 075 - 3	8 - 20HP	1500mm	1250mm
MA 075 - 4	9.9 - 30HP	1650mm	1370mm
MA 075 - 5	25 - 60HP	1800mm	1440mm
MA 075 - 6	40 - 100HP	2000mm	1700mm
MA 075 - 7	70 - 150HP	2260mm	1900mm
MA 075 - 8	135 - 250HP	2485mm	1970mm
MA 075 - 9	200 - 300HP	2540mm	1980mm
MA 075 - 9L	200 - 300HP	2540mm	2100mm

*COLOUR SKU REQUIRED WHEN ORDERING e.g MA 075-1BK

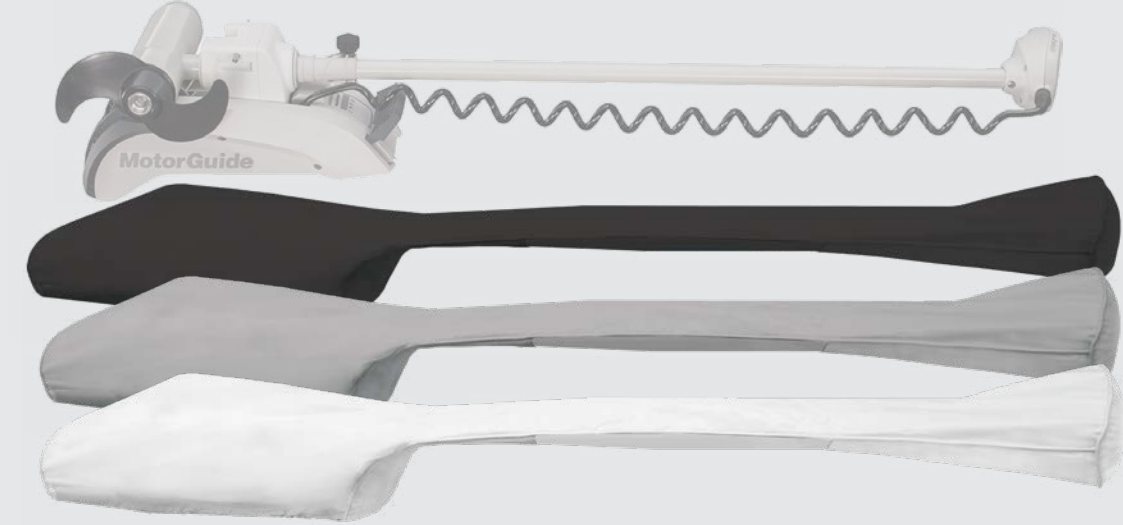


TROLLING MOTOR COVERS

NEW TROLLING MOTOR COVERS FOR **MINN KOTA**



NEW TROLLING MOTOR COVERS FOR **MOTOR GUIDE**



TROLLING MOTOR COVER

- **Robust Construction:** Made from heavy-duty, marine-grade PVC fabric.
- **Enhanced Ventilation:** Mesh underside promotes excellent air circulation and efficient water drainage.
- **Easy Installation:** Features an elasticised hem, buckle and marine-grade nylon zipper.



SKU	MOTOR	SHAFT
TMK 01S-054		54"
TMK 01S-060		60"
TMK 01S-072	RIPTIDE TERROVA	72"
TMK 01S-087		87"
TMK 01S-100		100"
TMK 02S-048	RIPTIDE POWERDRIVE	48"
TMK 02S-054		54"
TMK 09S-045		45"
TMK 09S-052	ULTREX	52"
TMK 09S-060		60"
TMK 13S-060	RIPTIDE ULTERRA	60"
TMK 13S-072		72"
TMK 14S-060		60"
TMK 14S-072	RIPTIDE INSTINCT QUEST	72"
TMK 14S-087	QUEST	87"
TMK 14S-100		100"

SKU	MOTOR	SHAFT
TMK 15S-060		60"
TMK 15S-072	RIPTIDE TERROVA QUEST	72"
TMK 15S-087		87"
TMK 15S-100		100"

Use W with the product SKU when ordering White Cover e.g. TMK 01S-054W
 Use G with the product SKU when ordering Gray Cover e.g. TMK 01S-054G
 Use BK with the product SKU when ordering Black Cover e.g. TMK 01S-054BK



TROLLING MOTOR COVER

- **Robust Construction:** Made from heavy-duty, marine-grade PVC fabric.
- **Enhanced Ventilation:** Mesh underside promotes excellent air circulation and efficient water drainage.
- **Easy Installation:** Features an elasticised hem, buckle and marine-grade nylon zipper.



SKU	MOTOR RANGE	SHAFT
TMG 01S-036-F01	XI3 FW 55LB	36"
TMG 01S-036-S01	XI3 SW 55LB	
TMG 01S-048-F01	XI3 WIRELESS FW 45LB	48"
TMG 01S-048-F02	XI3 WIRELESS FW 55LB	
TMG 01S-048-F03	XI3 WIRELESS EW 68LB	
TMG 01S-048-F04	XI5 WIRELESS FW 105LB	54"
TMG 01S-048-F05	XI5 WIRELESS FW 55LB	
TMG 01S-048-S01	XI3 WIRELESS SW 55LB	
TMG 01S-048-S02	XI3 WIRELESS SW 80LB	54"
TMG 01S-054-F01	XI3 WIRELESS FW 55LB	
TMG 01S-054-F02	XI3 WIRELESS FW 70LB	
TMG 01S-054-F03	XI3 WIRELESS FW 105LB	54"
TMG 01S-054-F04	XI5 WIRELESS FW 55LB	
TMG 01S-054-F05	XI5 WIRELESS FW 80LB	
TMG 01S-054-S01	XI3 WIRELESS SW 55LB	54"
TMG 01S-054-S02	XI3 WIRELESS SW 70LB	
TMG 01S-054-S03	XI5 WIRELESS SW 55LB	

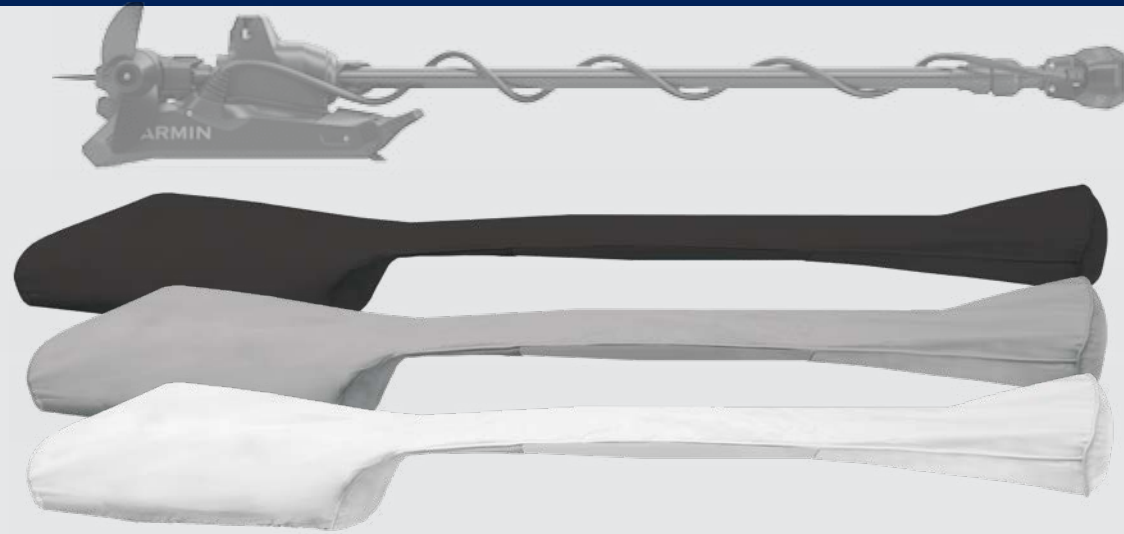
SKU	MOTOR RANGE	SHAFT
TMG 01S-060-F01	XI3 WIRELESS FW 55LB	60"
TMG 01S-060-F02	XI3 WIRELESS FW 70LB	
TMG 01S-060-F03	XI5 WIRELESS FW 105LB	
TMG 01S-060-F04	XI5 WIRELESS FW 80LB	60"
TMG 01S-060-S01	XI3 WIRELESS SW 70LB	
TMG 01S-060-S02	XI5 WIRELESS SW 105LB	
TMG 01S-060-S03	XI5 WIRELESS SW 80LB	72"
TMG 01S-072-F01	XI5 WIRELESS FW 105LB	
TMG 01S-072-F02	XI5 WIRELESS FW 80LB	
TMG 01S-072-S01	XI5 WIRELESS SW 105LB	72"
TMG 01S-072-S02	XI5 WIRELESS SW 80LB	
TMG 02S-045-F01	TOUR 109LB	
TMG 02S-045-F02	TOUR 82LB	

Use W with the product SKU when ordering White Cover e.g. TMG 01S-036W
 Use G with the product SKU when ordering Gray Cover e.g. TMG 01S-036G
 Use BK with the product SKU when ordering Black Cover e.g. TMG 01S-036BK



* SW - Saltwater | * FW - Freshwater

NEW TROLLING MOTOR COVERS FOR **GARMIN**



TROLLING MOTOR COVER

- **Robust Construction:** Made from heavy-duty, marine-grade PVC fabric.
- **Enhanced Ventilation:** Mesh underside promotes excellent air circulation and efficient water drainage.
- **Easy Installation:** Features an elasticised hem, buckle and marine-grade nylon zipper.



SKU	MOTOR RANGE	SHAFT LENGTH
TG 01S-063	FORCE KRAKEN	63"
TG 01S-075		75"
TG 01S-090		90"
TG 02S-050	FORCE	50"
TG 02S-057		57"

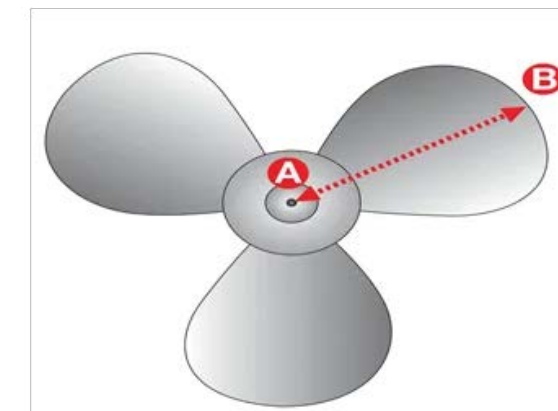
Use W with the product SKU when ordering White Cover e.g. TG 01S-063W
 Use G with the product SKU when ordering Gray Cover e.g. TG 01S-063G

PROPELLER COVERS



SKU	PROPELLER DIAMETER
MA 048-5	200mm (7.8")
MA 048-4	260mm (10")
MA 048-3	320mm (12.5")
MA 048-2	360mm (14.3")
MA 048-1	410mm (16")
MA 048-0	435mm (17") Dual/Twin Propeller

- Heavy duty UV polyester materials.
- Padded lining fabric with 1/4" closed cell foam.
- Shaped closure with press studs (no drawstring).
- Heavy stitching and excellent workmanship.
- Durable polyester webbing handle (for easy transport and storage when removed from the motor).
- Non-skid interior design to prevent slippage or twisting while in transit.
- High visible red safety colour for trailering.



Line A-B x 2 = Propeller Diameter

OUTBOARD MOTOR CARRY BAG

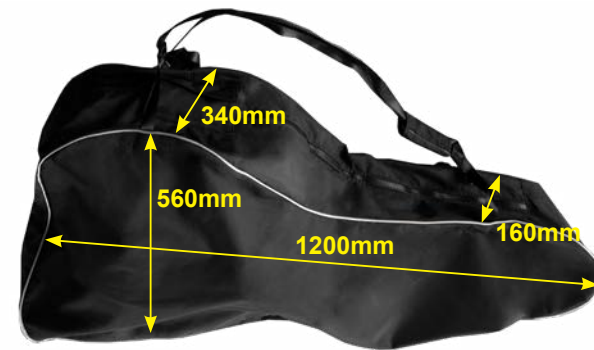


Fits most portable outboard engines up to 30kg



SILVER SOFT RANGE
DOPE DYED POLYESTER CANVAS
340 g/m² - 10.3oz/lyd²

- Constructed from a premium woven dope dyed polyester fabric with protective soft felt inner lining.
- Breathable & water resistant fabric.
- Adjustable heavy duty carry straps are designed to wrap around motor shaft and cowling for maximum security when carrying.
- Dual size 10# zippers - allow easy access to motor carry handle.



SKU	DESCRIPTION
MA 088	Outboard motor carry bag



PEDESTALS & SWIVELS

SWIVELS

SOCKET PEDESTALS

Coming in 2025



MA 763



- Top & Base.
- 4 x rubber anchors.
- Ø12 drill bit.
- Installation instructions.

MA 765-1



MA 765-2

QUICK CONNECT 360° TITAN SWIVEL IS UNOBTRUSIVE AND OFFERS A TRUE REMOVABLE SEAT OPTION



MA 760

Coming in 2025



MA 762



MA 761



360° SWIVEL TOP

160mm 160mm



MA 772-0

MA 772-1

MA 772-2

MA 772-3

NEW

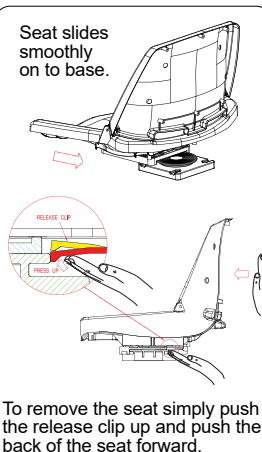
PEDESTAL SLIDER WITH SWIVEL (8 POSITION LOCK)

TITAN SWIVELS

A new alternative to 'metal seat clamps'. The titan swivel comprises of two parts: the base which locks onto the bench using rubber anchors and the top which attaches to the seat.

- Swivel and base diagonal measurement 7" (177mm).
- Moulded with tough self-lubricating polymers.

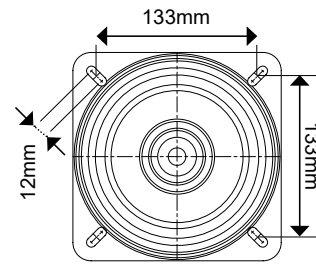
SKU	DESCRIPTION
MA 765 - 1	Titan Swivel (complete kit)
MA 765 - 2	Titan Swivel top & base only
MA 765 - 3	Titan Swivel base only
MA 765 - 4	Titan anchors (set of 4)



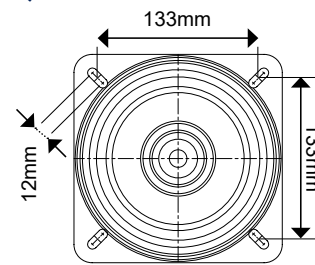
To remove the seat simply push the release clip up and push the back of the seat forward.

COATED METAL SWIVELS

- 7" (177mm) diagonal.
- Suits most standard seats and pedestals.
- Nylon slide runner.
- Black EDC coated steel protects against corrosion.



ALUMINIUM SWIVELS (8 POSITION LOCK)



SKU	DESCRIPTION
MA 762	With handle
MA 761	Without handle

ECONOMY

- Swivel top.
- Top and base diagonal measurement 7" (177mm).
- Aluminium tube diameter - Ø76mm.
- Suitable for most standard seats.

SKU	PEDESTAL HEIGHT
MA 769-1	7" (178mm)
MA 769-2	13" (330mm)

FIXED

- Aluminium anodised shaft - Ø75mm.
- Powder coated aluminium casted base - Ø230mm.
- Reinforced nylon swivel top.

SKU	PEDESTAL HEIGHT
MA 772-0	183mm
MA 772-1	330mm
MA 772-2	450mm
MA 772-3	610mm



MA 773-1



MA 773-2



MA 774-1



MA 774-2



MA 774-3

ADJUSTABLE

WAVERIDER

SKU	PEDESTAL HEIGHT
MA 773-1	365 - 500mm
MA 773-2	450 - 635mm

- Aluminium anodised shaft Ø75mm / Ø60mm.
- Powder coated aluminium casted base - Ø230mm.
- Reinforced nylon swivel top.

SKU	PEDESTAL HEIGHT
MA 774-1	340 - 450mm
MA 774-2	500 - 630mm
MA 774-3	580 - 710mm

The Waverider pedestal is the ultimate in convenience and comfort. Being gas powered, it allows easy adjustment of the seat height for each individual. Additionally, it acts as a shock absorber to smooth out the ride in rough seas.

- Gas operated.
- Aluminium anodised shaft Ø75mm / Ø65mm.
- Powder coated aluminium casted base Ø230mm.
- Reinforced nylon swivel top.

SOCKET PEDESTALS



DOMe BASE WAVERIDER

- Sold as a complete unit.
- Gas operated.
- Aluminium anodised shaft - Ø75mm / Ø65 mm.
- Reinforced nylon swivel top.
- Reinforced nylon socket base.

SKU	PEDESTAL HEIGHT
MA 778-1	370 - 450mm
MA 778-2	500 - 630mm
MA 778-3	580 - 710mm
21070	Socket Base



DOMe BASE

- Sold as a complete unit.
- Aluminium anodised shaft - Ø60mm.
- Reinforced nylon swivel top.
- Reinforced nylon socket base.

SKU	PEDESTAL HEIGHT
MA 779-1	390mm
MA 779-2	510mm
MA 779-3	670mm
21070	Socket Base



FLAT BASE WAVERIDER

- Sold as a complete unit.
- Gas operated.
- Aluminium anodised shaft - Ø75mm / Ø65 mm.
- Reinforced nylon swivel top.
- Reinforced nylon socket base.

SKU	PEDESTAL HEIGHT
MA 776-1	310 - 390mm
MA 776-2	440 - 570mm
MA 776-3	520 - 650mm
21070	Socket Base



FLAT BASE

- Sold as a complete unit.
- Aluminium anodised shaft - Ø60mm.
- Reinforced nylon swivel top.
- Reinforced nylon socket base.

SKU	PEDESTAL HEIGHT
MA 777-1	330mm
MA 777-2	450mm
MA 777-3	610mm
21070	Socket Base



NEW BOAT SEAT BOXES



SKU	PEDESTAL HEIGHT
MA 800-1	Boat Seat Box (Height 400mm) with Hatch
MA 800-2	Boat Seat Box with Tackle Box (Height 400mm)
MA 801-1	Boat Seat Box (Height 530mm) with Hatch
MA 801-2	Boat Seat Box with Tackle Box (Height 530mm)
MA 802-1	Hatch Tackle Box (Height 375mm x Width 275mm)
MA 802-2	Hatch Storage Box - Enclosed (Height 375mm x Width 275mm)
MA 803-1	Hatch Door and Frame (Height 375mm x Width 275mm)
MA 804-1	Fishing Tackle Box (238mm x 186mm x 52mm)

- Crafted from durable, marine-grade nylon for superior strength and reliability.
- Offered in two box seat height options.
- Both sizes feature a hinged, watertight hatch door with the choice of a 5-drawer fishing tackle box or an opening directly into the seat box for dry storage.
- Both sizes include a watertight floor for added protection.
- 5-Drawer tackle box Insert, storage Insert, hatch door & frame and fishing tackle box also available for purchase separately.
- Boat Seat Box can accommodate large, heavy duty seat slides, seat swivels and captains chairs.



BOAT SEATS



White
MA 708-10



Beige
MA 708-13



Blue/White
MA 708-31



Grey/White
MA 708-32



Black/Grey
MA 708-42



Black
MA 708-43

SKIPPER DELUXE HIGH BACK SEATS

SKU	DESCRIPTION	COLOUR
MA 708-10	Skipper Deluxe- Folding Seat	White
MA 708-13	Skipper Deluxe- Folding Seat	Beige
MA 708-31	Skipper Deluxe- Folding Seat	Blue/White
MA 708-32	Skipper Deluxe- Folding Seat	Grey/White
MA 708-42	Skipper Deluxe- Folding Seat	Black/Grey
MA 708-43	Skipper Deluxe- Folding Seat	Black

- High back design.
- Durable marine-grade fabric: upholstered in resilient marine-grade.
- Thick moulded foam padding:
- Durable UV-treated polymer shell.
- Premium UV-resistant marine-grade upholstery: upholstered with high-quality fabric.
- Heavy-duty plastic Inner frame.
- Folding capability.
- Versatile mounting: compatible with all standard 7" swivels.



Blue/White
MA 703-31

Grey/White
MA 704-32

Grey/Charcoal
MA 704-33

White/Grey (5 Panel)
MA 703-52

Shell
MA 703



White
MA 707-10

Beige
MA 707-13


Blue/White
MA 707-31

Grey/White
MA 707-32

Black/Grey
MA 707-42

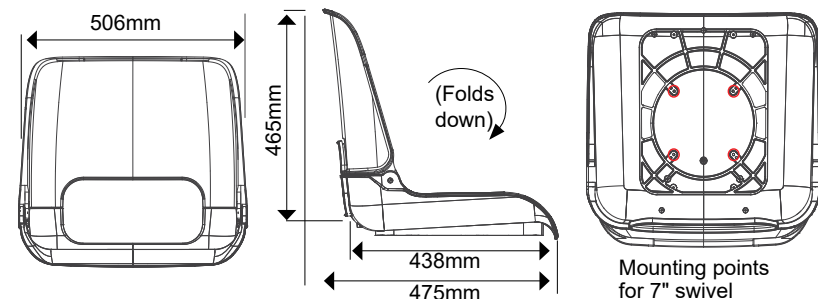
Black
MA 707-43

SKIPPER SEATS

REPLACEMENT SEAT CUSHION & COVER	CODE	COLOUR
	20331	Blue/White
	20332	Grey/White
	20333	Grey/Charcoal
	20352	Grey/White (5 panel)

SKU	DESCRIPTION	COLOUR
MA 703	Folding seat	Grey
MA 703 - 31	Folding seat 3 panel	Blue/White
MA 703 - 32	Folding seat 3 panel	Grey/White
MA 703 - 33	Folding seat 3 panel	Charcoal/Grey
MA 703 - 52	Folding seat 5 panel	Grey/White

- Deluxe model, stylish high back folding seat.
- High - impact polymer shell.
- UV treated shell resists deterioration/fading.
- UV resistant fabric by OMNOVA.
- Professionally tailored top-stitched 3 & 5 panel designs.
- Rear storage pocket on back rest.
- Dense laser cut foam cushions.
- Suits standard 7" swivels or titan swivel.
- Secure the seat with 4 x 1/4" or M6 size 1.6" length (40mm) countersunk stainless steel screws (screws not included).



SKIPPER DELUXE SEATS

SKU	DESCRIPTION	COLOUR
MA 707-10	Skipper Deluxe- Folding Seat	White
MA 707-13	Skipper Deluxe- Folding Seat	Beige
MA 707-31	Skipper Deluxe- Folding Seat	Blue/White
MA 707-32	Skipper Deluxe- Folding Seat	Grey/White
MA 707-42	Skipper Deluxe- Folding Seat	Black/Grey
MA 707-43	Skipper Deluxe- Folding Seat	Black

- Durable marine-grade fabric:
- Thick moulded foam padding.
- Premium UV-resistant marine-grade upholstery: upholstered with high-quality fabric
- Heavy-duty plastic inner frame.
- Folding capability: the seat conveniently folds down, allowing for easy storage.
- Versatile mounting: compatible with all standard 7" swivels.



White
MA 705-10



Grey
MA 705-11



Blue/White
MA 705-31



Grey/White
MA 705-32



Grey/Charcoal
MA 705-33



Charcoal/Grey
MA 705-35



Grey/Blue
MA 705-36

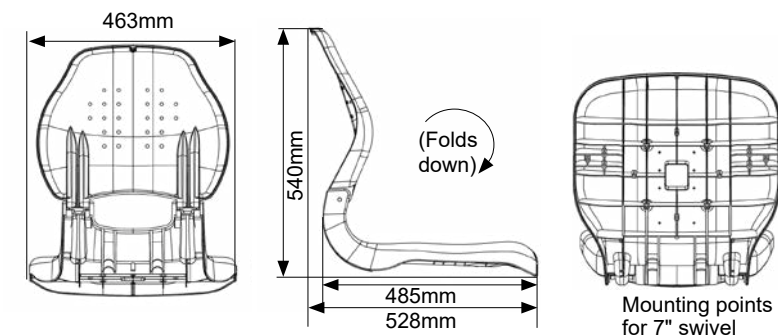
SIROCCO FOLDING SEATS

SKU	DESCRIPTION	COLOUR
MA 705 -10	Sirocco - Folding Seat	White
MA 705 -11	Sirocco - Folding Seat	Grey
MA 705 -31	Sirocco - Folding Seat	Blue/White
MA 705 -32	Sirocco - Folding Seat	Grey/White
MA 705 -33	Sirocco - Folding Seat	Grey/Charcoal
MA 705 -35	Sirocco - Folding Seat	Charcoal/Grey
MA 705 -36	Sirocco - Folding Seat	Grey/Blue

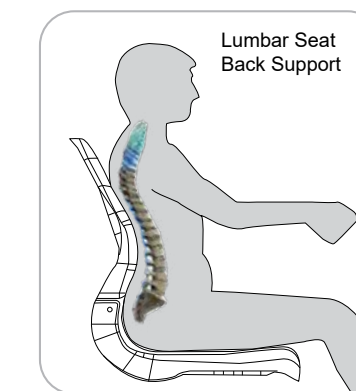
The Oceansouth sirocco folding seat is a standout in boat seat design, offering a perfect blend of style and comfort.

With its ergonomic construction, this seat elevates your boating experience by providing unparalleled comfort and a modern aesthetic.

The generously cushioned, wider seat and contoured back work together to ensure long hours of comfortable seating, making it ideal for extended outings on the water.



- Ergonomically moulded seat frame.
- UV resistant fabric by OMNOVA.
- Contoured dense foam core.
- Positive lock Fold down back.
- Top stitched paneled design.
- Suits standard 7" swivels or Titan Swivel.





White MA 704-10 Grey MA 704-11 Blue/White MA 704-31 Grey/White MA 704-32 Charcoal/Grey MA 704-33

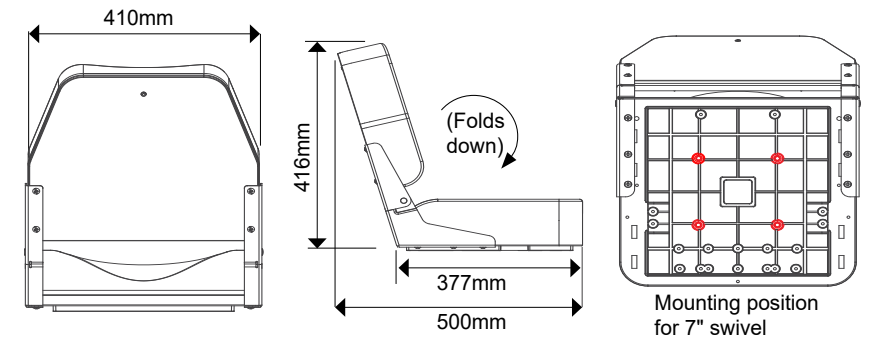


White MA 706-10 White/Grey MA 706-12 Blue/White MA 706-31 Grey/White MA 706-32 Charcoal/Grey MA 706-35 Grey/Blue MA 706-36

DELUXE SEATS

SKU	DESCRIPTION	COLOUR
MA 704 - 10	Deluxe – folding seat	White
MA 704 - 11	Deluxe – folding seat	Grey
MA 704 - 31	Deluxe – folding seat	Blue/White
MA 704 - 32	Deluxe – folding seat	Grey/White
MA 704 - 33	Deluxe – folding seat	Charcoal/Grey

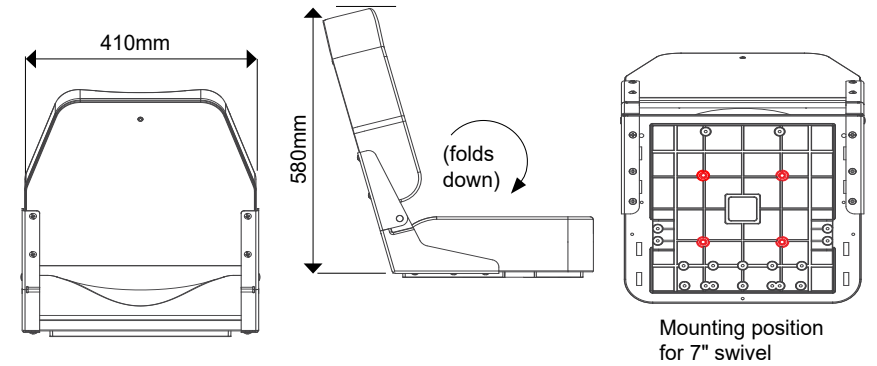
- Comfortable thick moulded foam cushions.
- UV resistant fabric by OMNOVA.
- Large aluminium powder coated hinges.
- Suits standard 7" swivels or Titan Swivel.
- Heavy duty moulded plastic inner frame.



HIGH BACK DELUXE SEATS

SKU	DESCRIPTION	COLOUR
MA 706 - 10	High Back - Folding Seat	White
MA 706 - 12	High Back - Folding Seat	White/Grey
MA 706 - 31	High Back - Folding Seat	Blue/White
MA 706 - 32	High Back - Folding Seat	Grey/White
MA 706 - 35	High Back - Folding Seat	Charcoal/Grey
MA 706 - 36	High Back - Folding Seat	Grey/Blue

- Comfortable thick moulded foam cushions.
- UV resistant fabric by OMNOVA.
- Large aluminium powder coated hinges.
- Suits standard 7" swivels or titan swivel.
- Heavy duty moulded plastic inner frame.





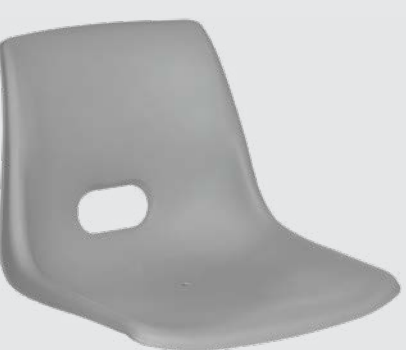
Blue/White
MA 701-31



Grey/Charcoal
MA 701-33



Grey/White
MA 701-32



Grey
MA 701



Blue/White
MA 701-21



Grey/White
MA 702-22



Grey/Charcoal
MA 702-23



Camouflage
MA 702-15

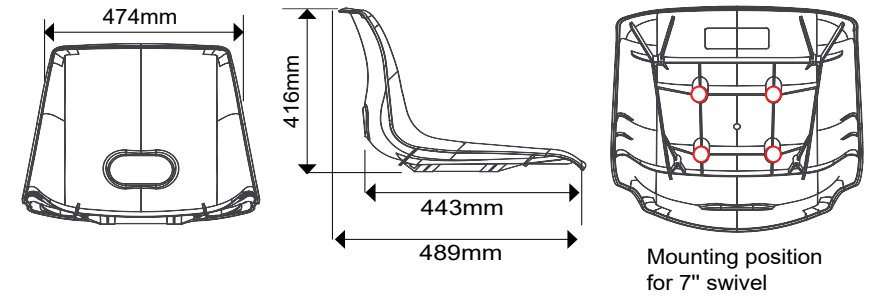


Grey
MA 702

C SEATS

SKU	DESCRIPTION	COLOUR
MA 701	C-Seat	Grey
MA 701 - 31	C-Seat	Blue/White
MA 701 - 32	C-Seat	Grey/White
MA 701 - 33	C-Seat	Grey/Charcoal

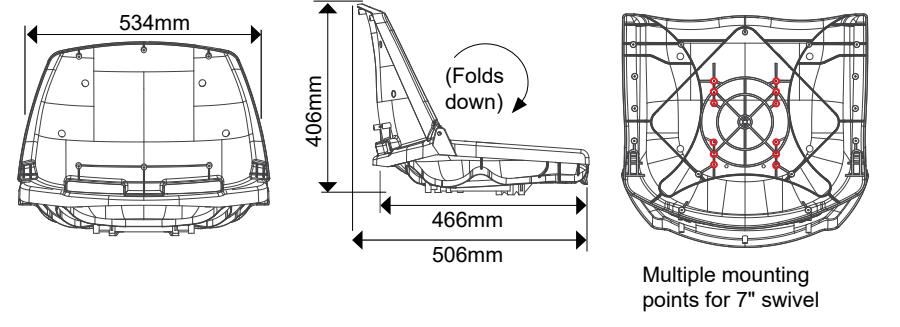
- Comfortable and durable.
- UV treated shell resists deterioration/fading.
- UV resistant fabric by OMNOVA.
- Suits standard 7" swivels or Titan Swivel.
- Available in shell only or 4 colour options.



FISHERMAN SEATS

SKU	DESCRIPTION	COLOUR
MA 702	Fisherman – folding seat	Grey
MA 702 - 15	Fisherman – folding seat	Camouflage
MA 702 - 21	Fisherman – folding seat	Blue/White
MA 702 - 22	Fisherman – folding seat	Grey/White
MA 702 - 23	Fisherman – folding seat	Grey/Charcoal

- Comfortable and durable.
- UV treated shell resists deterioration/fading.
- UV resistant fabric by OMNOVA.
- Suits standard 7" swivels or titan swivel.
- Available in shell only or 4 colour options.





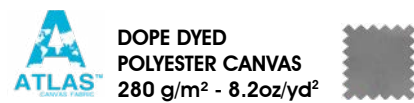
Small
MA 780-1



Large
MA 780-2

SMALL COVER - FOLDING SEAT

LARGE COVER



SKU	DESCRIPTION	SIZE
MA 780 - 1	Small Cover	L 460mm x W 510mm x H 480mm
MA 780 - 2	Large Cover	L 600mm x W 560mm x H 670mm

Easy to fit and an effective solution to protecting your seats from weathering and deterioration. Surround shock cord in hem for a tight fit around bench or pedestal mounted seats.

Large Cover (MA 780-2) suits: Helm, bucket and fixed back seat.

Small Cover (MA 780-1) suits: Small folding or pedestal seats. Fold away design, covers seat when folded down, secured in place with woven strap (supplied).



MARINE FURNITURE



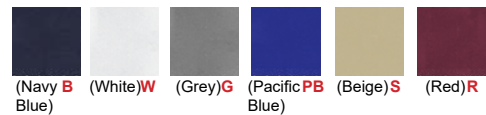
Coming in
2025



Coming in
2025



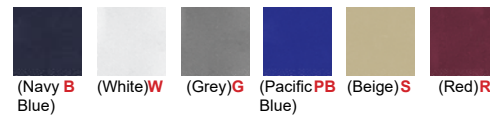
ALUMINIUM DECK CHAIR



SKU	COLOUR
MF001B	Navy Blue
MF001W	White
MF001G	Grey
MF001PB	Pacific Blue
MF001S	Beige
MF001R	Red

- Lightweight and compact design.
- Quick-drying fabric.
- Made from anodised aluminium
- Moulded Rubber feet for stability.
- Fully foldable chair for easy storage.

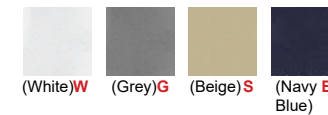
HIGH BACK ALUMINIUM DECK CHAIR



SKU	COLOUR
MF002B	Navy Blue
MF002W	White
MF002G	Grey
MF002PB	Pacific Blue
MF002S	Beige
MF002R	Red

- Lightweight and compact design.
- Quick-drying fabric.
- Made from anodised aluminium
- Moulded Rubber feet for stability.
- Fully foldable chair for easy storage.

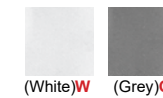
PREMIUM DECK CHAIR



SKU	COLOUR
MF003W	White
MF003G	Grey
MF003S	Beige
MF003B	Navy Blue

- Lightweight and compact design.
- Quick-drying fabric.
- Made from anodised aluminium
- Moulded Rubber feet for stability.
- Fully foldable chair for easy storage.

LARGE MARINE DECK & DOCK CHAIR



SKU	STYLE	COLOUR
MF004W	A	White
MF004G	A	Grey
MF005W	B	White
MF005G	B	Grey

- Lightweight and compact design.
- Quick-drying fabric.
- Made from anodised aluminium
- Moulded Rubber feet for stability.
- Fully foldable chair for easy storage.

MARINE FURNITURE

Coming
in
2025



FOLDING DECK TABLE

SKU	DESCRIPTION
MF006-120/75	Folding Deck Table (120cm x 75cm)
MF006-88/60	Folding Deck Table (88cm x 60cm)
MF006-61	Folding Deck Table (Round 61cm)

- Lightweight and compact design.
- Quick-drying fabric.
- Made from anodised aluminium
- Moulded Rubber feet for stability.
- Fully foldable chair for easy storage.



BOAT CUSHIONS



NEW



BOAT CUSHIONS

SKU	LENGTH	WIDTH	COLOUR
MA 720-1	450mm	300mm	Grey or Blue
MA 720-2	1200mm	300mm	Grey or Blue
MA 720-3	450mm	370mm	Grey or Blue
MA 720-4	1200mm	370mm	Grey or Blue
MA 720-5	1300mm	370mm	Grey or Blue
MA 720-6	1400mm	370mm	Grey or Blue
MA 720-7	1500mm	370mm	Grey or Blue
MA 720-8	1600mm	370mm	Grey or Blue
MA 720-10	450mm	420mm	Grey or Blue
MA 720-11	1600mm	420mm	Grey or Blue
MA 720-12	1700mm	420mm	Grey or Blue
MA 720-9	1800mm	370mm	Grey or Blue
MA 720-13	1800mm	420mm	Grey or Blue

***COLOUR SKU REQUIRED WHEN ORDERING e.g MA 720-1B**

Oceansouth hinged type boat cushions are constructed from Atlas marine grade fabrics suitable for the rigours of salt water and high exposure to the sun and UV rays. Resilient thick foam for ultimate comfort .

- Removable when not in use, marine grade (male / female studs).
- Dense 2-1/2" (65mm) thick foam.
- Solution dyed Atlas marine fabrics 310 gsm.
- Heavy duty PVC mesh backing (allows water to drain).
- UVR 92 bonded polyester.
- Marine grade #5 derlin zippers.
- UV & weather resistant.
- Colour fastness to light grade 6-7.

BOAT CUSHIONS PVC WHITE

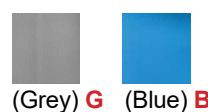
SKU	LENGTH	WIDTH
MA 720 - 1W	400mm	300mm
MA 720 - 2W	1200mm	300mm
MA 720 - 3W	450mm	370mm
MA 720 - 4W	1200mm	370mm
MA 720 - 5W	1300mm	370mm
MA 720 - 6W	1400mm	370mm
MA 720 - 7W	1500mm	370mm
MA 720 - 8W	1600mm	370mm
MA 720 - 9W	450mm	420mm
MA 720 - 10W	1600mm	420mm
MA 720 - 11W	1700mm	420mm
MA 720 - 12W	1800mm	370mm
MA 720 - 13W	1800mm	420mm

Oceansouth hinged type boat cushions are constructed from Atlas marine grade fabrics suitable for the rigours of salt water and high exposure to the sun and UV rays. Resilient thick foam for ultimate comfort .

- Removable when not in use, marine grade (male / female studs).
- Dense 2-1/2" (65mm) thick foam.
- Heavy duty PVC fabric & mesh backing (allows water to drain).
- Marine grade #5 derlin zippers.
- UV & weather resistant.
- Colour fastness to light grade 6-7.



BOAT BENCH CUSHIONS



SKU	LENGTH	WIDTH	COLOUR
MA 700-1	600mm	300mm	Grey or Blue
MA 700-2	600mm	400mm	Grey or Blue
MA 700-3	1200mm	300mm	Grey or Blue
MA 700-4	1200mm	400mm	Grey or Blue
MA 700-5	1500mm	400mm	Grey or Blue

***COLOUR SKU REQUIRED WHEN ORDERING e.g MA 700-1B**

- Press stud fittings.
- Removable when not in use.
- Dense 50mm thick foam.
- UV resistant fabric by OMNOVA.

BOAT BENCH CUSHIONS WITH POCKETS



SKU	LENGTH	WIDTH	COLOUR
MA 710-1	600mm	300mm	Grey or Blue
MA 710-2	600mm	400mm	Grey or Blue
MA 710-3	1200mm	300mm	Grey or Blue
MA 710-4	1200mm	400mm	Grey or Blue
MA 710-5	1500mm	400mm	Grey or Blue

***COLOUR SKU REQUIRED WHEN ORDERING e.g MA 710-1B**

- Safe storage pockets for keys/phone
- Can/bottle holder
- Press stud fittings.
- Removable when not in use.
- Dense 50mm thick foam.
- UV resistant fabric by OMNOVA.

BOAT DECK PILLOWS



Introducing the boat deck pillow, a premium accessory designed to provide comfort and relaxation during your outdoor adventures. This versatile pillow is specifically crafted to meet the unique needs of yacht owners, motorboat enthusiasts and outdoor enthusiasts alike.

In addition to its suitability for yachts, motor boats and sail-boats, the boat deck pillow is a versatile companion for various outdoor activities. Whether you're camping, picnicking, or simply enjoying a day at the beach, this pillow ensures your comfort and relaxation wherever you go. It's portability and lightweight design makes it easy to carry and use in any outdoor setting.

- Constructed with meticulous attention to detail.
- Combines exceptional quality, durability and functionality.
- Features a robust yet lightweight design, making it easy to carry and perfect for storage.
- Built to withstand the demanding marine environment.
- Resistant to UV rays, saltwater and general wear and tear.



ATLAS GOLDEN RANGE
DOPE DYED POLYESTER CANVAS
310 g/m² - 9.14 oz/yd²



(Blue) **B** (Pacific **PB** (Black) **BK** (Grey) **G** (Dark **DG** (Sand) **S** (Marron) **M** (White) **W**
Blue) Grey)

SKU	LENGTH	WIDTH
MA 730-1	400mm	400mm
MA 730-2	450mm	450mm
MA 730-3	500mm	500mm

***COLOUR SKU REQUIRED WHEN ORDERING e.g MA 730-1B**



COOLER CUSHIONS

NEW

COOLER / ICE BOX CUSHIONS



(Grey) G (White) W

(Grey) G (Dark Grey) DG (White) W (Blue) B (Tan) T (Camouflage) CA

COOLER/ICE BOX CUSHIONS

- The interior of the cushions features a thick layer of high-density foam which provides excellent cushioning and insulation properties.
- The outer layer is made from a rugged, water-resistant OMNOVA fabric that can withstand outdoor conditions.
- Visually appealing with the choice of either white or grey fabric.
- Resistant to spills and splashes.
- Provide a comfortable and practical seating solution that combines functionality with style.

SKU	LENGTH	WIDTH
MA 740 38-24	380mm	240mm
MA 740 38-31	380mm	310mm
MA 740 45-34	450mm	340mm
MA 740 50-40	500mm	400mm
MA 740 58-40	580mm	400mm
MA 740 68-38	680mm	380mm
MA 740 73-38	730mm	380mm
MA 740 77-41	770mm	410mm
MA 740 90-43	900mm	430mm
MA 740 100-44	1000mm	440mm
MA 740 114-49	1140mm	490mm
MA 740 140-52	1400mm	520mm
MA 740 160-62	1600mm	620mm

***COLOUR SKU REQUIRED WHEN ORDERING**



Velcro strips located on the underside of the cushion.

YETI COOLER CUSHIONS

SKU	YETI COOLER
MA 740 Y6	Yeti 6G
MA 740 Y24	Yeti 24
MA 740 Y35	Yeti 35
MA 740 Y45	Yeti 45
MA 740 Y65	Yeti 65
MA 740 Y75	Yeti 75
MA 740 Y105	Yeti 105
MA 740 Y110	Yeti 110
MA 740 Y125	Yeti 125
MA 740 Y160	Yeti 160
MA 740 Y210	Yeti 210

***COLOUR SKU REQUIRED WHEN ORDERING**



Secured to the cooler via Press Stud fittings.



FISHING GEAR



SMALL BAIT BOARD

Oceansouth Bait Boards are reinforced with a unique rib core to provide a rigid and stable surface. Easily removed for cleaning and storage.

- Size 460mm x 375mm.
- Rod and rail mount feature adjustable thumbscrew ratchet which allows table to be fastened at the desired angle.
- Extremely strong polypropylene, tough against cuts and UV deterioration.
- 25mm Drain hole.

SKU	DESCRIPTION
MA 104-1	Small Bait Board - Rod Holder Mount
MA 104-2	Small Bait Board - Rail Mount (Suits Ø25mm Rails)
MA 104-3	Small Bait Board - Lock Fast Holder Mount

LARGE BAIT BOARD

- Size 700mm x 420mm.
- Mounts are adjustable to suit various mounting widths.
- Extremely strong polypropylene, tough against cuts and UV deterioration.
- Two mounting legs for greater stability.

SKU	DESCRIPTION
MA 105-1	Large Bait Board - Rod Holder Mount
MA 105-2	Large Bait Board - Rail Mount (Suits Ø25mm Rails)
MA 105-3	Large Bait Board - Lock Fast Holder Mount
MA 102-1	Single Rod Holder - Pair
MA 102-2	Dual Rod Holder - Pair



EXTRA LARGE BAIT BOARD

- Size 850mm x 460mm.
- Mounting width 570mm.
- Extremely strong polypropylene, tough against cuts and UV deterioration.
- Two mounting legs with 'lock fast' fitting for superior stability.
- 25mm drain hole, sink & rod holders.

SKU	DESCRIPTION
MA 109-1	Lock Fast Gunnel Mount
MA 109-2	Rail Mount (Suits Ø25mm Rails)
MA 109-4	Stainless Steel Handle & Rod Holders

OPTIONAL COMPONENTS

21060-3
LOCK-FAST HOLDERS
For Ø32 mm Tube





RECTANGLE 90° ROD HOLDER

- Robust narrow head rod holders, UV stabilized polypropylene.
- Flush mount with bevelled edge, 90 degree angled shaft.
- Moulded rod gimbal in the shaft base.
- Slim line head is ideal for narrow gunwales.

SKU	HEAD SIZE	SHAFT ID	LENGTH	COLOUR
21170	87mm x 58mm	43mm	230mm	Black
21171	87mm x 58mm	43mm	230mm	White

RECTANGLE 30° ROD HOLDER

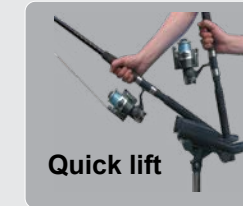
- Robust narrow head rod holders, UV stabilized polypropylene.
- Flush mount with bevelled edge, 30 degree angled shaft .
- Moulded rod gimbal in the shaft base.
- Slim line head is ideal for narrow gunwales.

SKU	HEAD SIZE	SHAFT ID	LENGTH	COLOUR
21172	87mm x 63mm	43mm	240mm	Black
21173	87mm x 63mm	43mm	240mm	White

OVAL 30° ROD HOLDER

- Robust UV stabilized polypropylene rod holder with a large Oval shaped head.
- Flush mount with bevelled edge, 30 degree angled shaft.
- Moulded rod gimbal in the shaft base.

SKU	HEAD SIZE	SHAFT ID	LENGTH	COLOUR
21174	115mm x 90mm	43mm	240mm	Black
21175	115mm x 90mm	43mm	240mm	White



Quick lift



QUICK LIFT ROD HOLDERS

- Tapered spacer for secure fit into 30° rod holder mount.
- Adjustable thumbscrew ratchet allows rod holders to be set at desired angle.
- Holders made from tough glass filled polymer.

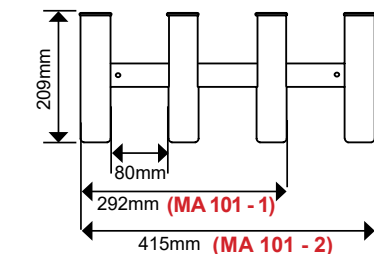


SKU	DESCRIPTION
MA 108 - 1	2 in 1 Rod holder mount
MA 108 - 2	2 in 1 Rail mount to suit 25mm railing
MA 107S	3 in 1 Starboard mount
MA 107P	3 in 1 Port mount



ROD RACKS - STAINLESS STEEL

- Mirror finish 316 stainless steel.
- Solid construction - no moving parts.
- Rounded top and bottom edges.
- Racks can be teamed together to multiply rod storage.
- Convenient side storage of rods.
- External rod holder diameter 42mm.
- Gimble pin rod stop.
- Internal polymer sleeve protects rod handles.



SKU	DESCRIPTION
MA 101-1	Rod Rack of 3
MA 101-2	Rod Rack of 4

FISHING GEAR



Storage bin
MA 106-1



Storage bin with
drink holder
MA 106-2

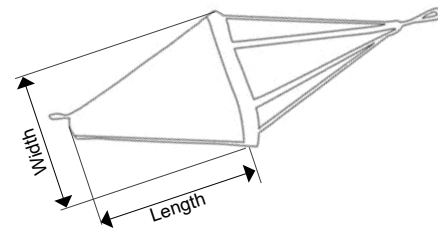


Storage bin with
integrated bait board
MA 106-3

SEA ANCHOR DROGUE

Ideal for fishing, our Sea Anchor Drogue is constructed with tough PVC rip-stop fabric, reinforced nylon straps and continuous webbing for added strength

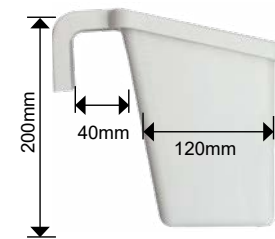
- Tough PVC rip-stop fabric.
- Opening reinforced with 50mm webbing.
- Reinforced construction woven polyester straps.
- Continuous webbing for added strength.
- Slows boat rate of drift.
- Ideal for fishing.



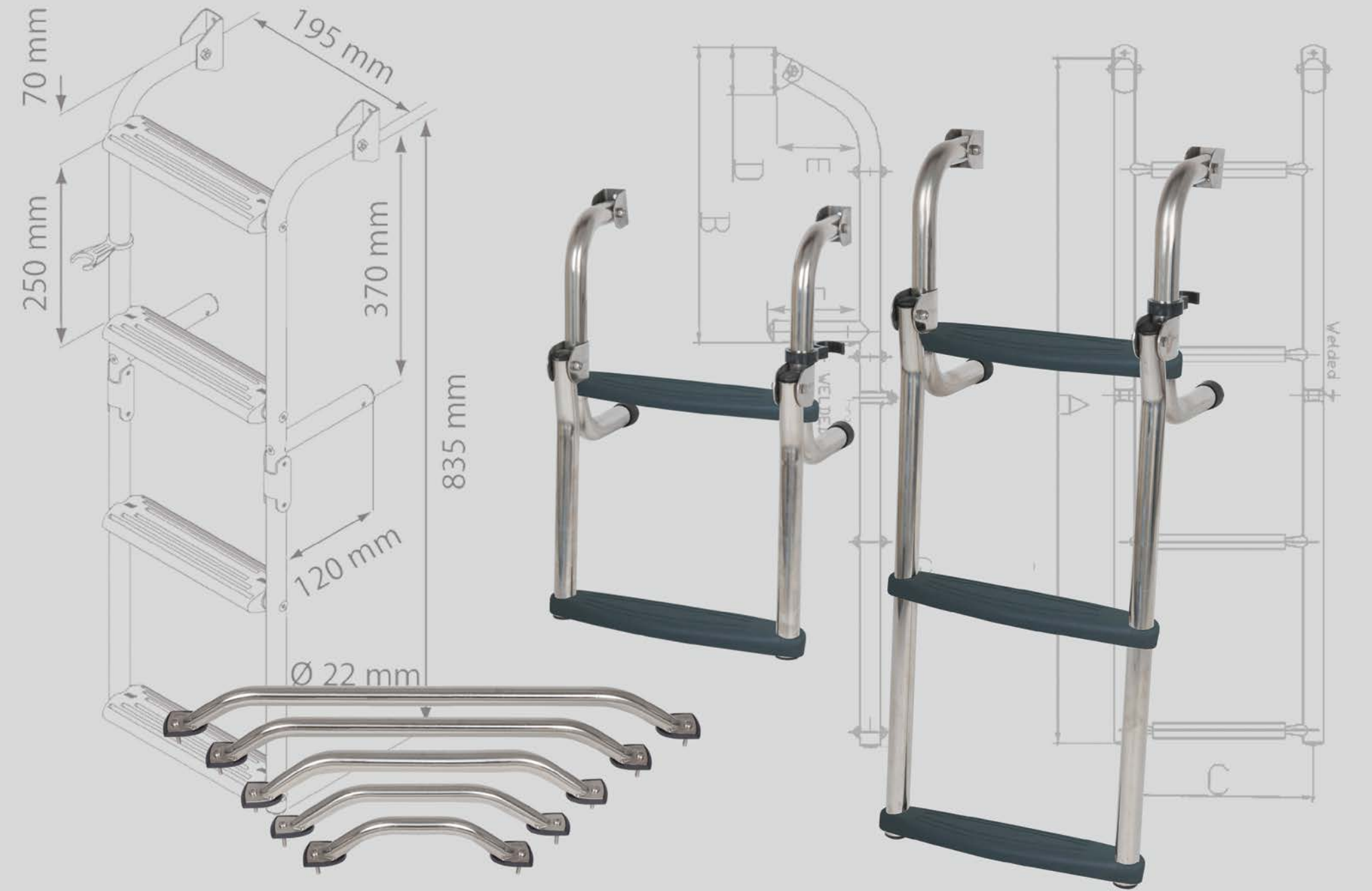
SKU	WIDTH	LENGTH	SUITS BOAT LENGTH
10071	600mm	530mm	15ft
10072	800mm	700mm	20ft
10073	1070mm	1100mm	25ft
10074	1350mm	1400mm	30ft

GUNWALE STORAGE BIN

- Hangs over gunwale.
- Ideal to store small items, bait or tackle.
- Includes holder for cup or can.
- Will fit 40mm wide gunwale.



SKU	DESCRIPTION
MA 106-1	Bait & Storage Bin
MA 106-2	Bait, Storage Bin & Drink Holder
MA 106-3	Bait, Storage Bin & Integrated Bait Board

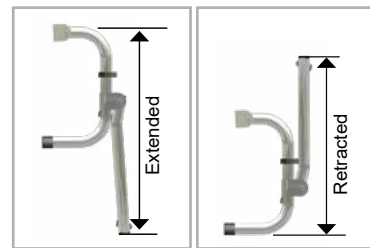


BOARDING LADDERS & HANDRAILS



SHORT BASE - 316 STAINLESS STEEL

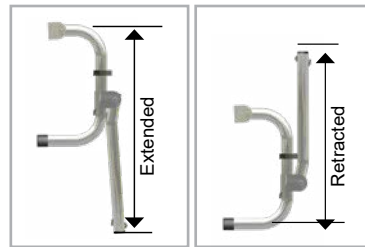
- Step spacings 260mm.
- Ladder width 300mm.
- 316 grade stainless steel fasteners and tube.
- High polish Ø25mm stainless steel.



SKU	STEPS	LENGTH EXTENDED	LENGTH RETRACTED
MA 031	2	485mm	420mm
MA 032	3	745mm	670mm

LONG BASE - 316 STAINLESS STEEL

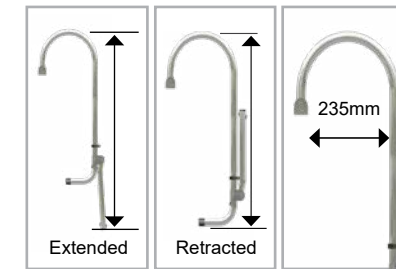
- Step spacings 260mm.
- Ladder width 300mm.
- 316 grade stainless steel fasteners and tube.
- High polish Ø25mm stainless steel.



SKU	STEPS	LENGTH EXTENDED	LENGTH RETRACTED
MA 033	3	645mm	470mm
MA 034	4	895mm	670mm
MA 035	5	1150mm	685mm

GUNWALE - 316 STAINLESS STEEL

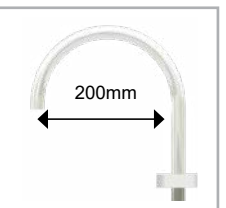
- Step spacings 260mm.
- Ladder width 300mm.
- 316 grade stainless steel fasteners and tube.
- High polish Ø25mm stainless steel.



SKU	STEPS	LENGTH EXTENDED	LENGTH RETRACTED
MA 036	3	920mm	710mm
MA 037	4	1180mm	710mm

FOLD AWAY - ALUMINIUM

- Heavy duty anodised aluminium Ø25mm tubing.
- Rubber - coated gunwale hooks with cushioned tips.
- Hooks and fend off feet fold flat for compact storage.
- Tough white moulded non-slip step.
- Reinforced plastic fend off feet.



SKU	STEPS	LENGTH	WIDTH
MA 011	3	850mm	355mm
MA 012	4	1100mm	355mm

HANDRAILS



Ø19mm HANDRAILS

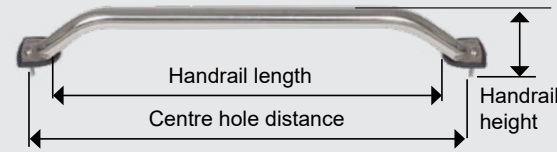
HEIGHT - 67mm

Ø22mm HANDRAILS

HEIGHT - 67mm

Ø25mm HANDRAILS

HEIGHT - 70mm



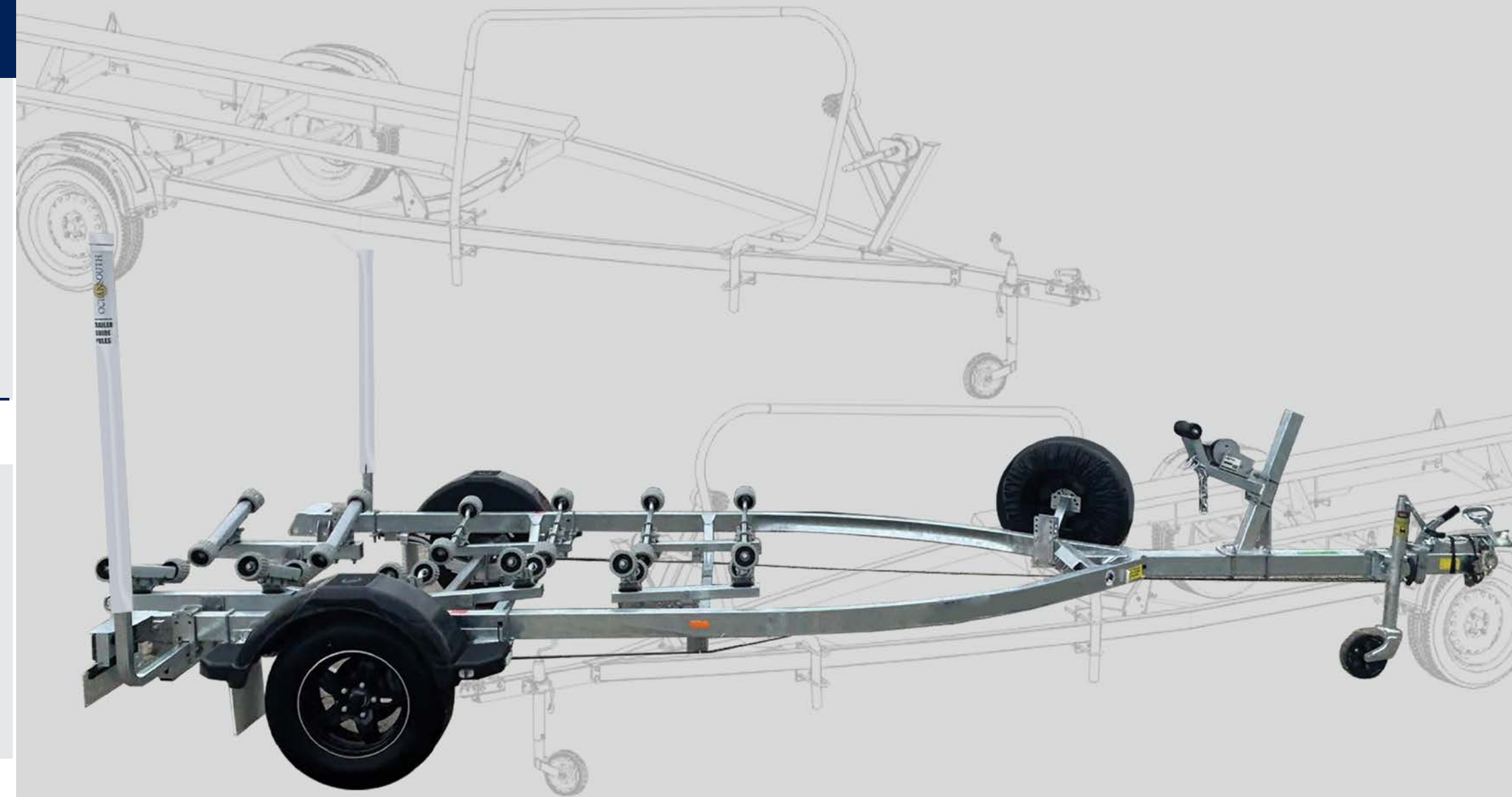
- Stainless steel tube.
- Marine grade nylon base.
- Mounting hardware included.



SKU	CENTRE HOLE DISTANCE	HANDRAIL LENGTH
MA 019-09	305mm	229mm
MA 019-12	383mm	305mm
MA 019-18	532mm	457mm
MA 019-24	684mm	610mm

SKU	CENTRE HOLE DISTANCE	HANDRAIL LENGTH
MA 022-09	305mm	229mm
MA 022-12	383mm	305mm
MA 022-18	532mm	457mm
MA 022-24	684mm	610mm

SKU	CENTRE HOLE DISTANCE	HANDRAIL LENGTH
MA 025-09	325mm	229mm
MA 025-12	383mm	305mm
MA 025-18	532mm	457mm
MA 025-24	684mm	610mm
MA 025-30	809mm	762mm



TRAILER GUIDE POLES & STONE GUARDS

NEW

TRAILER GUIDE POLES



- 40mm x 40mm fully galvanized square tube
- Ø63mm PVC white protective tube with a Ø3.9mm wall thickness
- Galvanised parts & components
- Can be easily assembled
- No drilling required for assembly
- Available for both rectangular and I-beam trailer frames and a selection of pole heights to choose from
- Included in the kit are the white PVC guide poles for both left and right sides, as well as the full frames, mounting brackets and fasteners

Versatile Sizing:
What sets our trailer guide poles apart is their versatility – available in multiple sizes to accommodate a range of boat dimensions and trailer configurations.

This adaptability ensures a customized solution for various vessels, making them an ideal choice for boaters of all experience levels.

Adaptable to Trailer Styles:
Our trailer guide poles offer you the choice of two types of mounting kits, suitable for either rectangular tube trailer frames or I-beam style trailer frames.

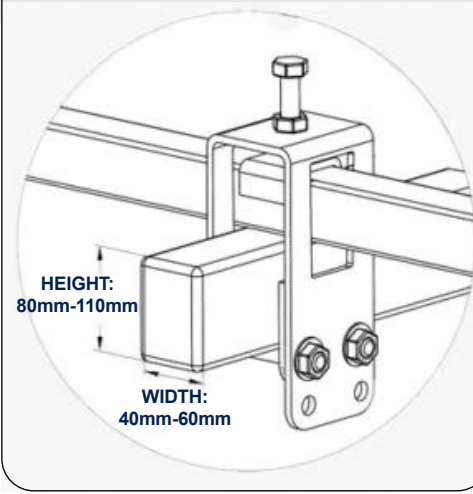
Easy Installation:
Installation is a breeze with our straightforward installation guide, allowing you to spend less time setting up and more time enjoying your boating adventures.

Please note: when trailering your boat on public roads, please ensure the Trailer Guide Poles are not extended out past the width of the trailer's wheel arch and/or the width of the boat (whichever is widest) and ensure the PVC tubes are removed from the mounting frame.

The trailer guide pole kit includes both left and right-hand side trailer guide poles and mounting assembly.

GUIDE POLES FOR RECTANGULAR BEAM TRAILER

Can fit beams up to:
WIDTH: 40mm - 60mm
HEIGHT: 80mm - 110mm



GUIDE POLES FOR I BEAM TRAILER

Can fit any I beam



SKU	WIDTH
MA 310-1A	I Beams Trailer Guide Poles 560mm (22")
MA 310-1B	Rectangular-Beams Trailer Guide Poles 560mm (22")
MA 310-2A	I-Beams Trailer Guide Poles 1000mm (40")
MA 310-2B	Rectangular-Beams Trailer Guide Poles 1000mm (40")
MA 310-3A	I-Beams Trailer Guide Poles 1520mm (60")
MA 310-3B	Rectangular-Beams Trailer Guide Poles 1520mm (60")
MA 310-4A	I-Beams Trailer Guide Poles 1875mm (75")
MA 310-4B	Rectangular-Beams Trailer Guide Poles 1875mm (75")

Fixed Hard anodised Ø25mm alloy shaft.



Telescopic Hard anodised Ø30mm alloy shaft & non slip locking mechanism.



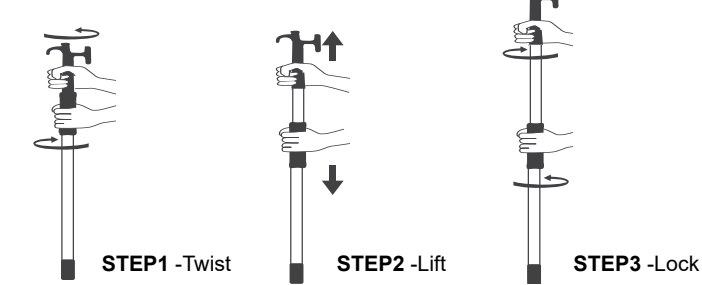
Boat hook head



SKU	DESCRIPTION	LENGTH
MA 001	Boat hook head	NA
MA 002	Boat hook fixed	1450mm
MA 003	Boat hook fixed	1800mm
MA 004	Boat hook telescopic	1180-2040mm
MA 005	Boat hook telescopic small	600-1050mm

- Rubber hand grips.
- High strength polypropylene hook.
- 'Fend-off' flat top design.
- Double sided hook.

Extending the Telescopic Boat Hook



HEAVY DUTY PADDLES



- Anodised alloy shaft Ø35mm.
- Polypropylene blade.



SKU	LENGTH
PA 125	1200mm
PA 150	1500mm



Comfortable Palm Grip

- Anodised alloy shaft Ø25mm.
- Polypropylene blade.

SKU	LENGTH
PA 121	1200mm

TELESCOPIC PADDLES



PA 110

PA 111

PA 112

- Easy twist telescopic locking system.
- Hard anodised alloy shaft.
- Polypropylene blade.

SKU	DESCRIPTION	LENGTH
PA 110	T-Handle Black	575mm - 1200mm (3 part extended)
PA 111	Palm-Grip Black	695mm - 1200mm (2 part extended)
PA 112	T-Handle Orange	575mm - 1075mm (3 part extended)

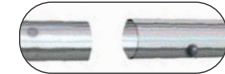
KAYAK PADDLES

ASYMMETRIC KAYAK PADDLE

- Glass fibre reinforced polypropylene blades.
- Drip rings, sealed blades & shaft.
- Hard anodised aluminium shaft Ø29mm.
- Grip indicators.
- Asymmetric slightly spooned blades with 40° offset.



Split Shaft



3 position Split Shaft
60° Right / Left / Centre

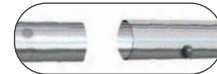
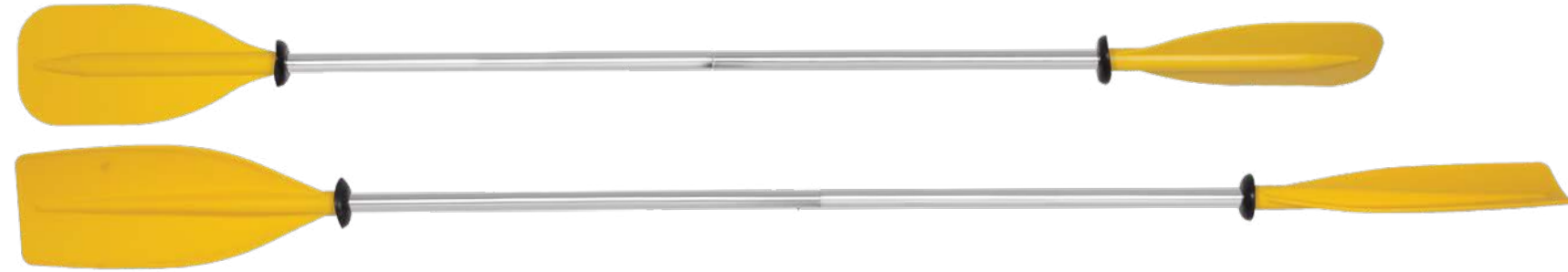
SKU	COLOUR	LENGTH
PA 185Y	Yellow	2170mm
PA 185W	White	2170mm
PA 185B	Blue	2170mm
PA 185BK	Black	2170mm



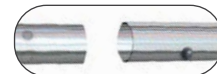
Fixed

SKU	COLOUR	LENGTH
PA 285Y	Yellow	2170mm
PA 285W	White	2170mm
PA 285B	Blue	2170mm
PA 285BK	Black	2170mm

KAYAK PADDLE - Split Shaft



2 position Split Shaft
60° Right / Left / Centre



3 position Split Shaft
60° Right / Left / Centre

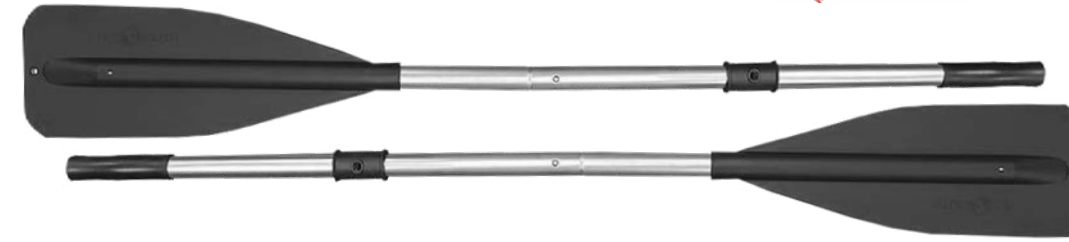
SKU	COLOUR	LENGTH
PA 170	Yellow	1800mm
PA 175	Yellow	2170mm

- Anodised alloy shaft Ø25mm.
- Drip rings.

INFLATABLE BOAT OARS

NEW

ALUMINIUM OARS FOR INFLATABLE DINGHY - 2 Piece



Oar Sleeve



Split Shaft

SKU	LENGTH
PA 100-1A	1360mm
PA 100-2A	1650mm

- Boat oars Ø35mm hard anodised aluminium tube.
- Blade width x length 165mm x 539mm.
- Engineer grade glass filled polypropylene blades.
- UV protected polypropylene grip handles and oar stops.
- Engineer grade nylon oar locks.
- Two piece design for convenient storage.
- Supplied in pairs with oar sleeve.



TELESCOPIC OARS FOR INFLATABLE DINGHY

Coming in
2025



PA 100-1C



PA 100-2C



Oar Lock

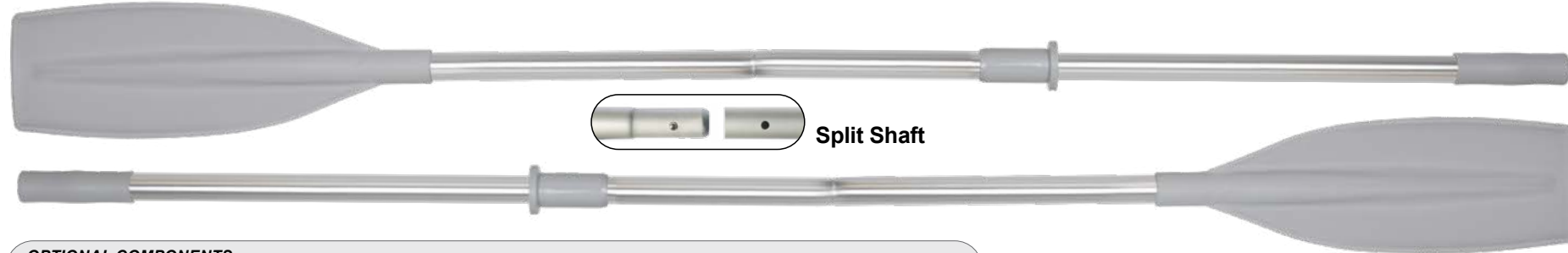
SKU	LENGTH
PA 100-1C	995mm - 1360mm
PA 100-2C	1160mm - 1650mm

- Available in 2 sizes.
- Compatible with standard pin-lock fastening systems.
- Smooth feathering rowing technique enabled by the oar lock mechanism.
- Adjustable telescopic length for customisable use.
- Compact design when retracted, ensuring convenient storage.
- UV-protected polypropylene blade and ergonomic handle.
- Sold as a pair.

ALUMINIUM OARS

ALUMINIUM OARS - 2 Piece

NEW With Oar Locks



Split Shaft

OPTIONAL COMPONENTS

<p>31003 OARLOCK (PAIR) Suitable for Oars up to Ø44mm Shank Ø12mm</p>	<p>31002 OARLOCK BASE Top mount Oarlock base made from marine-grade Nylon. Suits 31001 Oarlock With Thumb Screw</p>	<p>31001 OARLOCK WITH THUMB SCREW Locks into place using the 31002 Oarlock Base</p>	<p>OARLOCK 12mm (1/4")</p>
---	---	---	---------------------------------------

- Two piece design for convenient storage.
- Ø35mm x 1.2mm aluminium tube.
- Anodised shafts & UV polypropylene blades.
- Grip handle & oar stops.
- Supplied in pairs.

SKU	DESCRIPTION
PA 300	Oars Aluminium 2 piece with stop 1.80m

ALUMINIUM OARS with OAR LOCKS - 2 Piece

NEW With Oar Sleeves



Split Shaft

- Boat oars Ø35mm hard anodised aluminium tube.
- Blade width x length 165mm x 539mm.
- Engineer grade glass filled polypropylene blades.
- UV protected polypropylene grip handles and oar stops.
- Engineer grade nylon oar locks with stainless steel shaft pin.
- Two piece design for convenient storage.
- Supplied in pairs with oar locks.

SKU	DESCRIPTION
PA 310	Oars Aluminium 2 piece with Oar Locks & Stops



OAR LOCKS

SKU	LENGTH
PA 200-1A12	1650mm
PA 200-2A12	1850mm
PA 200-3A12	2000mm
PA 200-4A12	2150mm



OAR SLEEVES

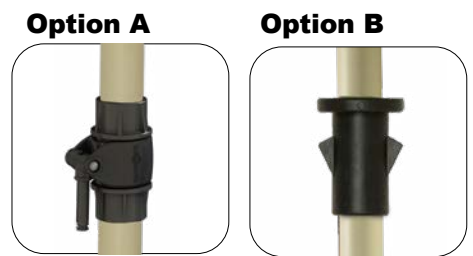
SKU	LENGTH
PA 200-1B	1650mm
PA 200-2B	1850mm
PA 200-3B	2000mm
PA 200-4B	2150mm

- Oceansouth 2-piece aluminium split shaft design oars allow for convenient, simple storage.
- Supplied in pairs including oar locks or oar sleeves.
- Made of heavy duty nylon & stainless steel fittings.
- The Ø35mm aluminium tube gives durability & strength.
- The blades and handles are made from UV polypropylene for the best lightweight strength.

HEAVY DUTY OARS



Heavy Duty Blade



Option A
Oar Lock
- 12mm (1/4")

Option B
Oar Stopper
Only Available in Australia



SKU	LENGTH
PA 400-1	1.52m
PA 400-2	1.65m
PA 400-3	1.80m
PA 400-4	1.95m
PA 400-5	2.10m
PA 400-6	2.25m

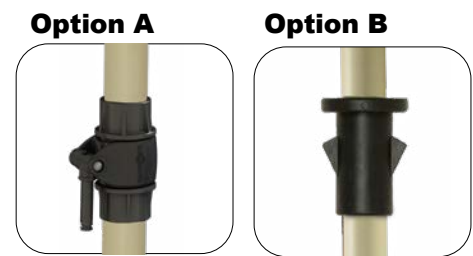
- Sold as a pair.
- Rubberised hand grips and oar stops.
- Robust and durable Ø41mm aluminium powder coated shaft.
- Heavy duty UV polypropylene scull blades.

HEAVY DUTY OARS - 2 PIECE

Split Shaft



Our 2-piece aluminium oars allow for convenient, simple storage, without sacrificing durability.



Option A
Oar Lock
- 12mm (1/4")

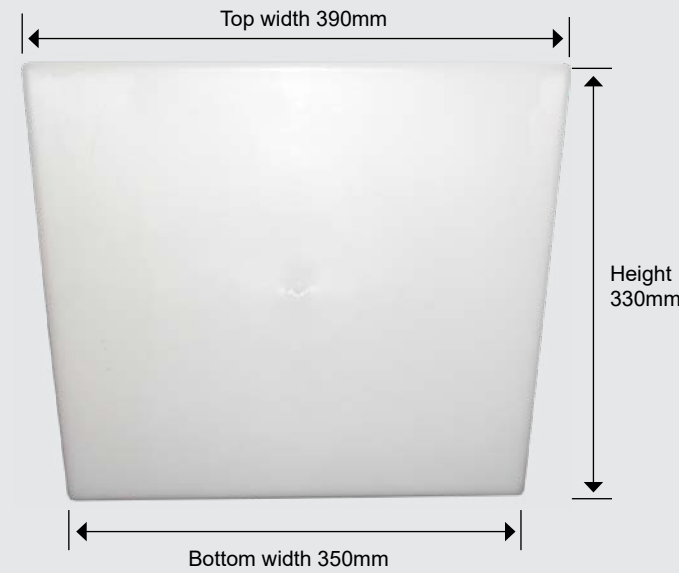
Option B
Oar Stopper
Only Available in Australia



SKU	LENGTH
PA 410-1	1.85m
PA 410-2	2.00m
PA 410-3	2.15m
PA 410-4	2.30m
PA 410-5	2.45m
PA 410-6	2.60m
PA 410-7	2.75m

- Two piece design for convenient storage.
- Sold as a pair.
- Rubberised hand grips and oar stops.
- Robust and durable.
- Ø41mm aluminium powder coated shaft.
- Heavy duty UV polypropylene scull blades.

OUTBOARD BACKING PLATE



Our outboard backing plates are made from solid, UV resistant polypropylene and are available in both 8mm and 15mm thickness.

- Solid UV resistant polypropylene backing plates for outboard motor mounting.
- Smooth rounded outer edge and tapered shape for a clean professional finish.
- Available in two thickness: 8mm & 15mm.

SKU	LENGTH
100133	Outboard backing plate - 8mm
100134	Outboard backing plate - 15mm

SIGNAL HORN



Coming in 2025



Horn & Can
10033



Spare Can
10032



Horn & Can
10043



Spare Can
10042



Small Horn
10045

Large Horn
10046

LARGE SIGNAL HORN

Oceansouth's Acoustic Gas Horn uses ozone-friendly propellant. Signals up to 1500 meters. An important part of your craft's safety gear. Also widely used by sporting clubs, schools and industry.
POPULAR INDUSTRIAL USAGE

Features

- Construction safety signal.
- Fire signal.
- Rail Signal.

SKU	DESCRIPTION	CAPACITY
10033	Horn and Can	380ml
10032	Spare Can	380ml

MINI SIGNAL HORN

The Mini Signal Horn is the perfect companion for outdoor and sporting enthusiasts.

Features

- Small enough to fit into your briefcase bag or backpack.
- An essential item for night time workers, senior citizens, students or anyone concerned for their personal safety.

SKU	DESCRIPTION	CAPACITY
10043	Horn and Can	380ml
10042	Spare Can	380ml

TRUMPET SAFETY FOG-HORN

- **Manually operated:** simply blow into the mouthpiece to produce a powerful safety blast up to 130dB.
- **No fuel or batteries required:** always ready for use in any situation.
- **Great for sporting events:** perfect for cheering, signalling and crowd control.
- **Versatile safety alert:** ideal as a personal safety device, alerting passers-by, other vessels, safety crews, evacuations and worksite personnel.
- **Lightweight and compact:** designed for portability and easy carrying with the included lanyard.
- **High-visibility design:** available in safety orange for maximum awareness.
- **Available in two length sizes:** choose the right fit for your needs

SKU	DESCRIPTION	LENGTH
10045	Trumpet Safety Fog Horn - Small	120mm
10046	Trumpet Safety Fog Horn - Large	175mm

SAILING DINGHY COVERS



SAILING DINGHY COVERS



OPTIMIST



Optimist Blade Bag

SKU	COVER TYPE
SA32	Optimist Travel Cover
SA33	Optimist Hull Cover
SA35	Optimist Blade Bag
SA36	Optimist Mast Bag



LASER



SKU	COVER TYPE
SA42	Laser Travel Cover
SA43	Laser Hull Cover
SA44	Laser Rudder Cover
SA45	Laser Rudder/Keel Bag
SA46	Laser Mast Cover



FINN



SKU	COVER TYPE
SA21	Finn Deck Cover with Mast
SA22	Finn Travel Cover
SA23	Finn Hull Cover
SA24	Finn Rudder Cover



29ER



SKU	COVER TYPE
SA61	29er Deck Cover with Mast
SA62	29er Travel Cover
SA63	29er Hull Cover
SA64	29er Rudder Cover



420



SKU	COVER TYPE
SA01	420 Deck Cover with Mast
SA02	420 Travel Cover
SA03	420 Hull Cover
SA04	420 Rudder Cover



470



SKU	COVER TYPE
SA11	470 Deck Cover with Mast
SA12	470 Travel Cover
SA13	470 Hull Cover
SA14	470 Rudder Cover



49ER



SKU	COVER TYPE
SA71	49er Deck Cover with Mast
SA72	49er Travel Cover
SA73	49er Hull Cover
SA74	49er Rudder Cover



BIC



SKU	COVER TYPE
SA52	Bic Travel Cover
SA53	Bic Hull Cover
SA54	Bic Rudder Cover
SA55	Bic Rudder/Keel Bag

SAILING DINGHY COVERS



RS AERO

SKU	COVER TYPE
SA81	Rs Aero Deck Cover with Mast
SA82	Rs Aero Travel Cover
SA83	Rs Aero Hull Cover
SA84	Rs Aero Rudder Cover



RS QUEST

SKU	COVER TYPE
SA101	Rs Quest Deck Cover with Mast
SA102	Rs Quest Travel Cover
SA103	Rs Quest Hull Cover
SA104	Rs Quest Rudder Cover



TASAR

SKU	COVER TYPE
SA201	Tasar Deck Cover with Mast
SA202	Tasar Travel Cover
SA203	Tasar Hull Cover
SA204	Tasar Rudder Cover



PACER

SKU	COVER TYPE
SA151	Pacer Deck Cover with Mast



RS 100

SKU	COVER TYPE
SA111	Rs 100 Deck Cover with Mast
SA112	Rs 100 Travel Cover
SA113	Rs 100 Hull Cover
SA114	Rs 100 Rudder Cover



RS 200

SKU	COVER TYPE
SA131	Rs 200 Deck Cover with Mast
SA132	Rs 200 Travel Cover
SA133	Rs 200 Hull Cover
SA134	Rs 200 Rudder Cover



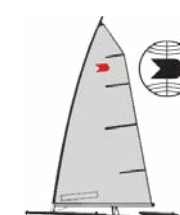
CADET

SKU	COVER TYPE
SA171	Cadet Deck Cover with Mast



OK DINGHY

SKU	COVER TYPE
SA231	OK Dinghy Deck Cover with Mast



SAILING DINGHY COVERS



IMPULSE

SKU	COVER TYPE
SA211	Impulse Deck Cover with Mast
SA212	Impulse Travel Cover
SA213	Impulse Hull Cover
SA214	Impulse Tiller Cover



MIRROR

SKU	COVER TYPE
SA141	Mirror Deck Cover with Mast



YINGLING

SKU	COVER TYPE
SA271	Yngling Deck Cover with Mast
SA272	Yngling Travel Cover
SA273	Yngling Hull Cover
SA274	Yngling Tiller Cover



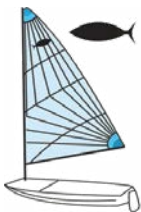
J70

SKU	COVER TYPE
SA211	Impulse Deck Cover with Mast
SA212	Impulse Travel Cover
SA213	Impulse Hull Cover
SA214	Impulse Tiller Cover



MINNOW

SKU	COVER TYPE
SA161	Minnow Deck Cover with Mast



ETCHELLS

SKU	COVER TYPE
SA281	Etchells Deck Cover with Mast
SA282	Etchells Travel Cover
SA283	Etchells Hull Cover
SA284	Etchells Rudder Cover



J24

SKU	COVER TYPE
SA331	J24 Deck Cover with Mast
SA332	J24 Travel Cover
SA333	J24 Hull Cover
SA334	J24 Rudder Cover



2.4mR

SKU	COVER TYPE
SA471	2.4mR Cover with Mast
SA472	2.4mR Travel Cover
SA474	2.4mR Rudder Cover



SAILING DINGHY COVERS



FLYING DUTCHMAN

SKU	COVER TYPE
SA461	Flying Dutchman Deck Cover with Mast
SA462	Flying Dutchman Travel Cover
SA463	Flying Dutchman Hull Cover
SA464	Flying Dutchman Rudder Cover



VXONE

SKU	COVER TYPE
SA361	Vxone Deck Cover with Mast
SA362	Vxone Travel Cover
SA363	Vxone Hull Cover
SA364	Vxone Rudder Cover



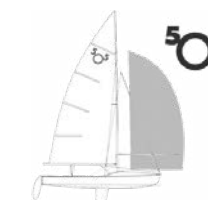
RS FEVA

SKU	COVER TYPE
SA121	RS Feva Deck Cover with Mast
SA122	RS Feva Travel Cover
SA123	RS Feva Hull Cover
SA124	RS Feva Rudder Cover



505

SKU	COVER TYPE
SA191	505 Deck Cover with Mast
SA192	505 Travel Cover
SA193	505 Hull Cover
SA194	505 Rudder Cover



WETA

SKU	COVER TYPE
SA381	Weta Deck Cover with Mast
SA382	Weta Travel Cover



SABRE

SKU	COVER TYPE
SA181	Sabre Deck Cover with Mast
SA182	Sabre Travel Cover
SA183	Sabre Hull Cover
SA184	Sabre Rudder Cover



EUROPE

SKU	COVER TYPE
SA241	Europe Deck Cover with Mast
SA242	Europe Travel Cover
SA243	Europe Hull Cover
SA244	Europe Rudder Cover



LASER BAHIA

SKU	COVER TYPE
SA391	Laser Bahia Deck Cover with Mast



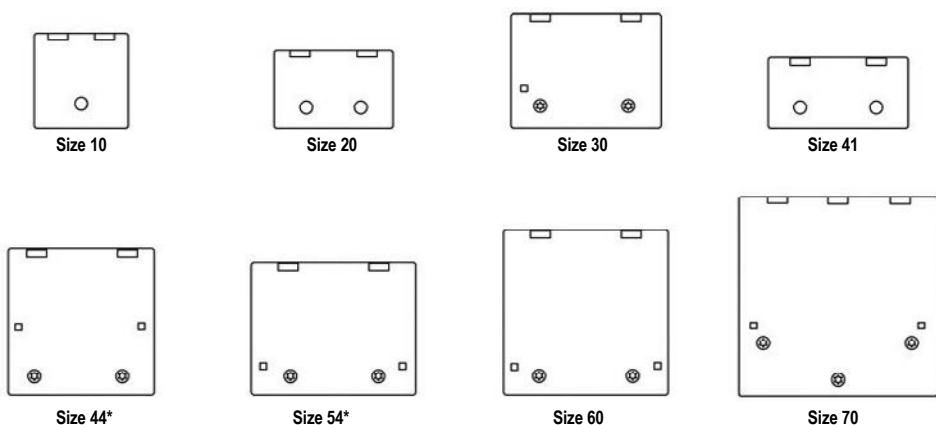
CUSTOM FLUSH HATCH COVERS FOR LEWMAR

CUSTOM LOW-MED PROFILE HATCH COVERS FOR LEWMAR



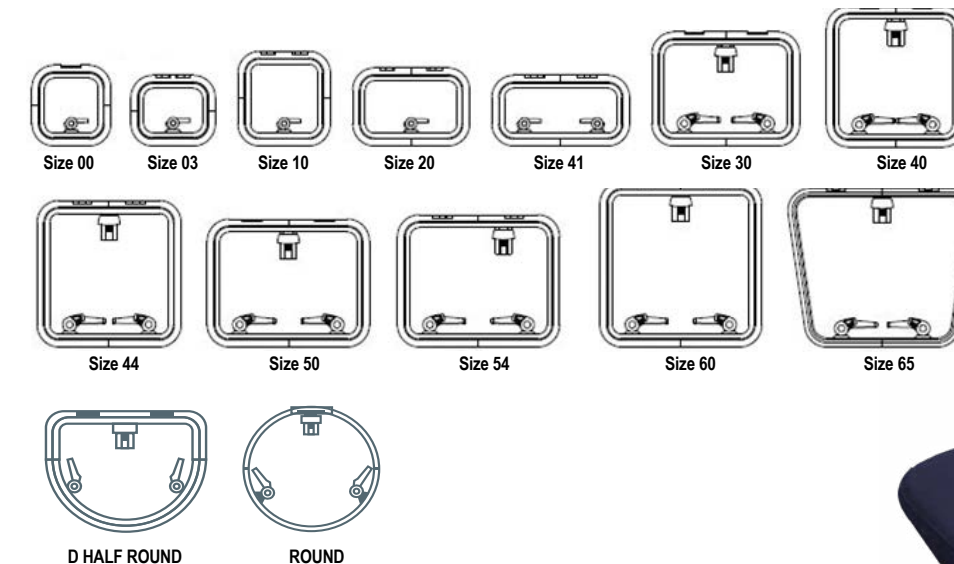
ATLAS GOLDEN RANGE
DOPE DYED POLYESTER CANVAS
310 g/m² - 9.14 oz/yd²

(Blue) **B** (Pacific Blue) **PB** (Grey) **G** (Dark) **DG** (Black) **BK** (Sand) **S** Grey



SKU	SIZES	WIDTH	LENGTH
MA 410-10	10	330mm	330mm
MA 410-20	20	417mm	272mm
MA 410-30	30	527mm	397mm
MA 410-41	41	491mm	246mm
MA 410-44	44	512mm	512mm
MA 410-54	54	577mm	462mm
MA 410-60	60	577mm	577mm
MA 410-70	70	697mm	697mm

COLOUR SKU REQUIRED WHEN ORDERING e.g MA 410-10B



SKU	SIZE	WIDTH	LENGTH
MA 411-00	00	281mm	281mm
MA 411-03	03	301mm	246mm
MA 411-10	10	330mm	330mm
MA 411-20	20	417mm	272mm
MA 411-30	30	527mm	397mm
MA 411-40	40	491mm	491mm
MA 411-41	41	491mm	246mm
MA 411-44	44	512mm	512mm
MA 411-50	50	577mm	447mm
MA 411-54	54	577mm	462mm
MA 411-60	60	577mm	577mm
MA 411-70	70	698mm	698mm
MA 411-77	77	770mm	770mm

COLOUR SKU REQUIRED WHEN ORDERING e.g MA 411-00B



ATLAS GOLDEN RANGE
DOPE DYED POLYESTER CANVAS
310 g/m² - 9.14 oz/yd²

(Blue) **B** (Pacific Blue) **PB** (Grey) **G** (Dark) **DG** (Black) **BK** (Sand) **S** Grey



TRAPEZOID HATCH COVER

SKU	SIZE	W MAX	W MIN	LENGTH
MA 412-65	65	675mm	560mm	560mm
MA 412-20		620mm	520mm	660mm
MA 412-30		700mm	560mm	580mm

COLOUR SKU REQUIRED WHEN ORDERING

D HALF HATCH COVER

SKU	SIZE	WIDTH	LENGTH
MA 413-51	51	588mm	448mm
MA 413-64	64	600mm	500mm

COLOUR SKU REQUIRED WHEN ORDERING

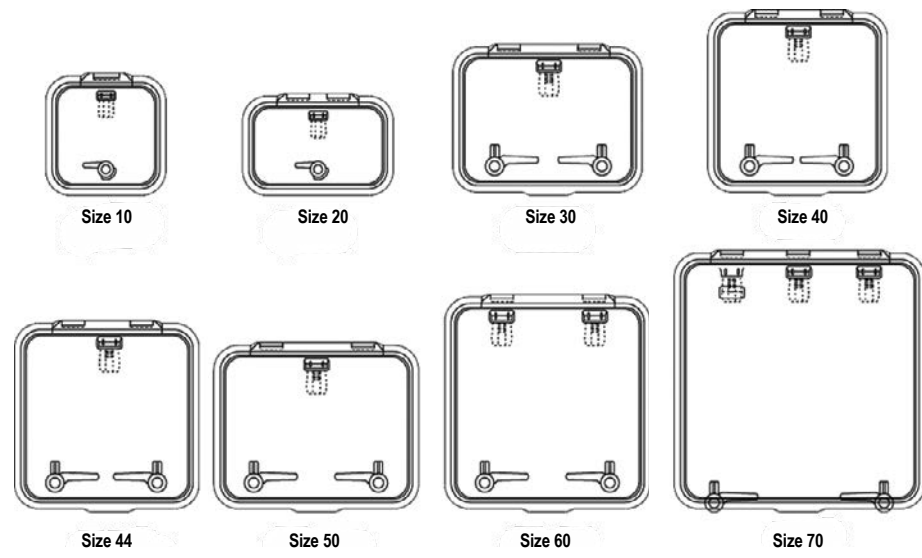
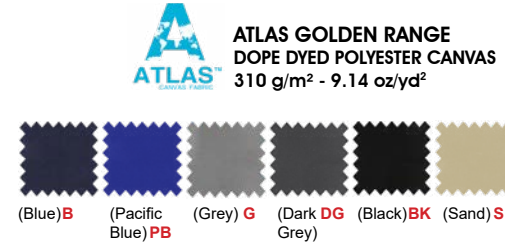
ROUND HATCH COVER

SKU	SIZE	DIAMETER
MA 414-10		290mm
MA 414-18	18	490mm
MA 414-22	22	588mm

COLOUR SKU REQUIRED WHEN ORDERING e.g MA 414-10B

CUSTOM HIGH PROFILE HATCH COVERS FOR LEWMAR

Compatible with
LEWMAR'S OCEAN HATCH RANGE



SKU	SIZE	WIDTH	LENGTH
MA 415-10	10	324mm	324mm
MA 415-20	20	411mm	266mm
MA 415-30	30	521mm	391mm
MA 415-40	40	485mm	485mm
MA 415-44	44	509mm	509mm
MA 415-50	50	574mm	444mm
MA 415-60	60	574mm	574mm
MA 415-70	70	694mm	694mm

COLOUR SKU REQUIRED WHEN ORDERING e.g MA 415-10B

UNIVERSAL HATCH COVERS



ATLAS
GOLDEN RANGE
DOPE DYED POLYESTER CANVAS
350g/m² - 10.4oz/yd²



Oceansouth's unique design allows the hatch cover to stay in place when the hatch is opened and remain firmly secured around the hatch when closed.

The hatch covers are manufactured with 100% dope dyed polyester ATLAS canvas
GOLDEN RANGE fabric to ensure excellent protection and to extend the life of your hatch.

- Surround drawstring, sure - lock toggle.
- Breathable marine canvas reduces condensation build-up and provides excellent UV protection.
- Available for 5 hatch styles, multiple sizes.

CODE	LENGTH	WIDTH	SQUARE
MA 400 - 1	280mm	280mm	
MA 400 - 2	330mm	330mm	
MA 400 - 3	450mm	450mm	
MA 400 - 4	500mm	500mm	
MA 400 - 5	580mm	580mm	
MA 400 - 6	700mm	700mm	
MA 400 - 7	770mm	770mm	
MA 400 - 8	860mm	860mm	

CODE	LENGTH	WIDTH	RECTANGLE
MA 400 - 9	260mm	400mm	
MA 400 - 10	400mm	520mm	
MA 400 - 11	450mm	580mm	

CODE	LENGTH	WIDTH	TRAPEZOID
MA 400 - 12	580mm	620-520mm	
MA 400 - 13	660mm	700-560mm	

CODE	LENGTH	WIDTH	D HALF ROUND
MA 400 - 14	450mm	580mm	
MA 400 - 15	500mm	600mm	

CODE	DIAMETER	ROUND
MA 400 - 16	Ø300mm	
MA 400 - 17	Ø500mm	
MA 400 - 18	Ø600mm	

WINCH COVERS

NEW HATCH MOSQUITO NET

MEASUREMENT GUIDE

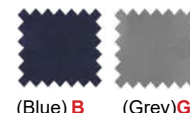
ANDERSON		HARKEN		LEWMAR	
WINCH TYPE	SIZE	WINCH TYPE	SIZE	WINCH TYPE	SIZE
28 Electric ST Compact	3	B32.2C 2 Speed	1	24 Two Speed	1
28 Standard	1	B32.2STC 2 Speed	3	30 ST Ocean Two Speed	3
28 Standard ST	3	B40.2C 2 Speed	2	30 Two Speed	1
40 Electric ST Compact	4	B40.2STC 2 Speed	4	40 Electric ST	5
40 Standard	2	B40.2STEC Electric	6	40 ST Ocean Two Speed	4
40 Standard ST	4	B44.2STC 2 Speed	5	40 STOR Racing	4
46 Electric ST	7	B44.2STEC Electric	6	40 Two Speed	2
46 Electric ST Compact	6	B45.2STR Racing 2 Speed	5	44 Electric ST	6
46 Hydraulic ST	6	B46.2STC 2 Speed	6	44 Hydraulic ST	6
46 ST Stainless Steel	6	B46.2STEC Electric	7	44 ST Ocean Two Speed	5
46 Standard	2	B48.2STC 2 Speed	7	44 STOR Racing	5
46 Standard ST	6	B48.2STEC Electric	8	44 STOR Racing - High Speed	6
52 Electric ST	8	B48.2STR Racing 2/3 Speed	7	48 Electric ST	7
52 Electric ST Compact	8	B53.2ST 2 Speed	9	48 Hydraulic ST	7
52 Hydraulic ST	8	B53.2STC 2/3 Speed	8	48 ST Ocean Two Speed	6
52 ST Stainless Steel	7	B53.2STE Electric	9	48 STOR Racing	6
52 Standard ST	7	B53.2STH Hydraulic	9	48 STOR Racing - High Speed	7
58 Electric STE	9	B53.2STR Racing 2 Speed	8	50 Electric ST	9
58 Electric STE Compact D	9	B56.2ST 2 Speed	9	50 Hydraulic ST	9
58 Electric STE Compact U	9	B56.2STE Electric	10	50 ST Ocean Two Speed	8
58 Hydraulic STH	9	B56.2STH Hydraulic	10	50 STOR Racing	8
58 ST Stainless Steel	9	B56.3ST 3 Speed	9	54 Electric ST	9
58 Standard ST	9			54 Hydraulic ST	9
62 Electric STE	9			54 ST Ocean Two Speed	8
62 Electric STE Compact D	9			54 STOR Racing	8
62 Electric STE Compact U	9			58 Electric ST	10
62 Hydraulic STH	9			58 Hydraulic ST	10
62 ST Stainless Steel	9			58 ST Two Speed	9
62 Standard ST	9			58 STOR Racing	9
				62 STOR Racing	9
				64 Electric ST	10
				64 Hydraulic ST	10
				64 ST Two Speed	9



- Simple design allows for quick fitting on/off.
- 25mm elasticised waist hem secures cover firmly around winch.
- Double thickness stitched hem sits neatly around winch base.
- Excellent UV and weather protection.
- Available in grey and blue colours.



ATLAS GOLDEN RANGE
DOPE DYED POLYESTER CANVAS
310 g/m² - 9.14 oz/yd²



SKU	SIZE	HEIGHT	BASE Ø	STANDARD
MA 401 - 1	1	130mm	130mm	
MA 401 - 2	2	145mm	140mm	
MA 401 - 3	3	160mm	145mm	
MA 401 - 4	4	180mm	150mm	
MA 401 - 5	5	200mm	170mm	
MA 401 - 6	6	215mm	190mm	
MA 401 - 7	7	230mm	200mm	
MA 401 - 8	8	250mm	205mm	
MA 401 - 9	9	280mm	270mm	
MA 401 - 10	10	315mm	290mm	

COLOUR SKU REQUIRED WHEN ORDERING e.g MA 401-1B



Companiway

- Effectively keeps mosquitoes, insects and other pests out while allowing fresh air to circulate through your yacht hatch.
- Made from high-quality, lightweight mesh that is resistant to tearing and ensures long-lasting performance.
- Features a lead-lined hem for a secure fit around the hatch cover, ensuring hassle-free setup and removal.
- Folds easily for convenient storage, making it perfect for on-board use.



Mosquito Nets

SKU	DESCRIPTION	WIDTH	LENGTH
MA 416-1G	Hatch Mosquito Net	360mm (14")	360mm (14")
MA 416-2G	Hatch Mosquito Net	430mm (17")	300mm (12")
MA 416-3G	Hatch Mosquito Net	530mm (21")	530mm (21")
MA 416-4G	Hatch Mosquito Net	620mm (24")	620mm (24")
MA 416-5G	Hatch Mosquito Net	720mm (28")	720mm (28")
MA 417-1G	Boat Companiway Mosquito Net		
MA 418-1BK	Mosquito Net	230mm (9")	490mm (19")
MA 418-2BK	Mosquito Net	300mm (12")	700mm (27")
MA 418-3BK	Mosquito Net	350mm (14")	350mm (14")
MA 418-4BK	Mosquito Net	600mm (24")	600mm (24")
MA 418-5BK	Mosquito Net	800mm (32")	800mm (32")

COCKPIT TABLE COVERS



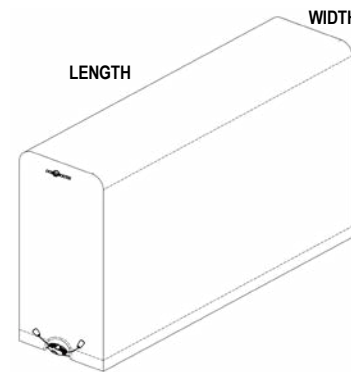
ATLAS GOLDEN RANGE
DOPE DYED POLYESTER CANVAS
310 g/m² - 9.14 oz/yd²

(Blue)B (Pacific Blue)PB (Grey)G (Dark DG Grey) (Black)BK (Sand)S

- The inclusion of a shock cord in the hem guarantees a secure and snug fit, preventing the cover from slipping or shifting during adverse weather conditions.

- The breathable marine canvas used in these covers not only defends against UV exposure but also minimizes condensation buildup, maintaining a dry and comfortable environment in your boat's cockpit.

- Designed to uphold the integrity and aesthetics of your cockpit table, these covers are a reliable solution for ensuring a pristine and well-protected boat interior.



SKU	LENGTH	WIDTH	HEIGHT
MA 405 - 1	950mm	300mm	650mm
MA 405 - 2	1050mm	400mm	650mm
MA 405 - 3	1200mm	350mm	650mm
MA 405 - 4	1250mm	450mm	700mm
MA 405 - 5	1350mm	500mm	700mm
MA 405 - 6	1450mm	550mm	700mm
MA 405 - 7	1550mm	550mm	700mm

COLOUR SKU REQUIRED WHEN ORDERING e.g MA 405-1B

WHEEL COVERS



ATLAS GOLDEN RANGE
DOPE DYED POLYESTER CANVAS
310 g/m² - 9.14 oz/yd²

(Blue)B (Pacific Blue)PB (Grey)G (Dark DG Grey) (Black)BK (Sand)S

- The Oceansouth yacht steering wheel covers are the ultimate protection for your boat's steering wheel.

- Provide excellent protection against the elements, keeping your steering wheel safe from UV damage and environmental wear and tear.

- The combination of velcro and zipper fastening ensures a snug and secure fit, preventing the cover from slipping or coming loose during harsh weather conditions.

- The breathable marine canvas used in these covers not only safeguards against UV rays but also reduces condensation build-up, maintaining a dry and comfortable environment in your boat's cockpit.

- These covers are designed to keep your steering wheel looking and performing like new, ensuring that you can navigate your yacht with ease and confidence on every voyage.

SKU	DIAMETER
MA 403 - 1	Ø610mm (24")
MA 403 - 2	Ø812mm (32")
MA 403 - 3	Ø915mm (36")
MA 403 - 4	Ø1015mm (39")
MA 403 - 5	Ø1115mm (43")
MA 403 - 6	Ø1215mm (48")
MA 403 - 7	Ø1315mm (51")
MA 403 - 8	Ø1415mm (55")
MA 403 - 9	Ø1515mm (59")
MA 403 - 10	Ø1615mm (62")
MA 403 - 11	Ø1715mm (67")

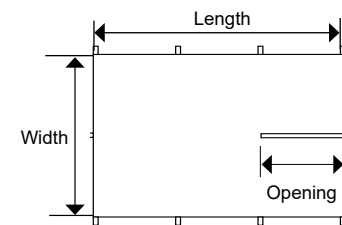
COLOUR SKU REQUIRED WHEN ORDERING e.g MA 403-1B

SAILBOAT AWNING



Oceansouth Sailboat Awnings are designed to fit a variety of sailboats. Manufactured with ATLAS 280g/m² polyester canvas that has a colour fastness to light, grade 6-7 to provide durable, secure protection from the sun.

- Easily installed across boom.
- Velcro & buckled rear central opening to allow for topping lift.
- Secured with tie downs to mast, back stay and rails.
- Tie downs included.



**DOPE DYED
POLYESTER CANVAS**
280 g/m² - 8.2oz/yd²

SKU	WIDTH	LENGTH	OPENING
MA 402 - 1	2500mm	2400m	850mm
MA 402 - 2	3000mm	3200m	1200mm
MA 402 - 3	3600mm	4200m	1200mm

OCEANSOUTH AUSTRALIA

1-3 Urban Street, Braeside,
Victoria 3195,
Tel: +61 3 9580 0015
Fax: +61 3 9580 7844
sales@oceansouth.com.au

OCEANSOUTH NEW ZEALAND

60 Hillside Road, Wairau Valley,
Auckland 0627,
Tel: +64 9 5513054
Fax: +64 9 5513053
sales@oceansouth.co.nz

OCEANSOUTH USA

3081 W Mcnab Road
Pompano Beach, Florida 33069
Tel: +1 954 575 8444
Fax: +1 954 575 8899
sales@oceansouth.us

OCEANSOUTH EUROPE GmbH

Zeppelinstraße 9
28844 Weyhe, Germany
Tel: +49-(0)4404-20 900 30
sales@oceansouth.de

OCEANSOUTH JIANGSU CO. LTD.

Creative Industrial Park,
Taixing, Jiangsu
China

OCEANSOUTH CHINA CO. LTD.

938 Nanfeng Road, Fengcheng,
Fengxian, Shanghai 201411
Tel: +86 21 5752 2291
Fax: +86 21 5752 1753
info@oceansouth.com

